

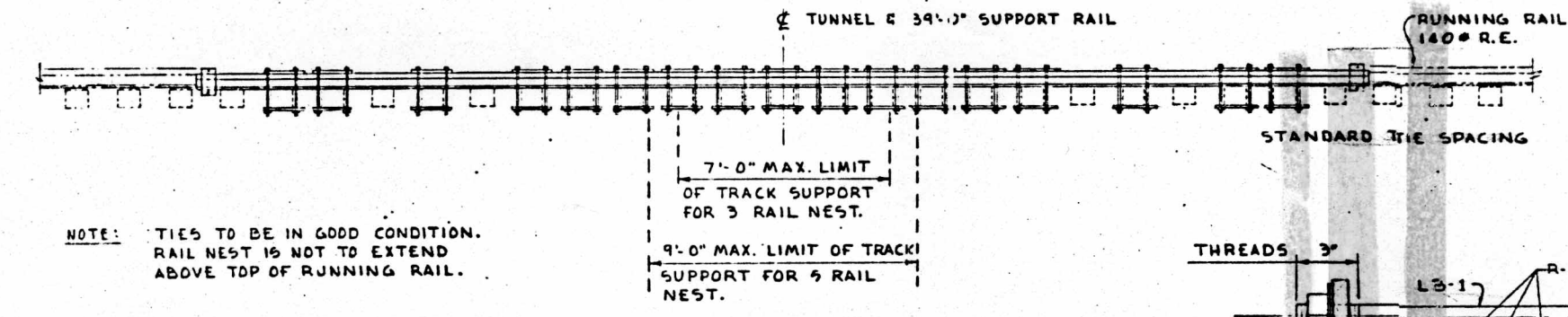
PLAN  
SCALE: 3/8" = 1'-0"

MATERIAL REQ'D FOR ONE TRACK					
PC. MARK	NO. REQ'D	DISCRIPTION	LENGTH	WEIGHT	REMARK
3 RAIL NEST MATERIAL					
R-1	6	100# R.E. RAIL	39'-0"	23400	
ST-1	34	STRAP 4" x 1"	1'-9"	809	
LB-1	34	1" φ BOLT	1'-6"		
LB-2	4	1" φ BOLT	1'-1"		
LB-3	4	1" φ BOLT	1'-3"		
PL-2	4	PL 6" x 3/4"	1'-0 1/4"	62	
TOTAL WEIGHT FOR 3 RAIL NEST				24271	
5 RAIL NEST MATERIAL					
R-1	6	100# R.E. RAIL	39'-0"	23400	
R-2	4	100# R.E. RAIL	39'-0"	19600	
ST-2	34	STRAP 4" x 1"	1'-11"	924	
LB-1	38	1" φ BOLT	1'-6"		
PL-1	4	PL 6" x 3/4"	0'-11 1/4"	61	
TOTAL WEIGHT FOR 5 RAIL NEST				39955	

GRAPHIC SCALE  
10' [Scale bar]

PROJECT NUMBER

**CONRAIL**  
CONSOLIDATED RAIL CORPORATION  
CHIEF ENGINEER - DESIGN & CONSTRUCTION PHILA. PA  
APPROVED: [Signature]

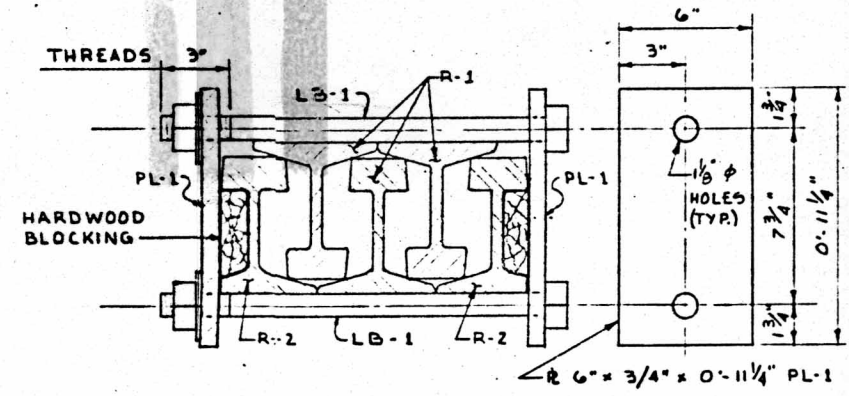


ELEVATION  
SCALE: 3/8" = 1'-0"

NOTE: TIES TO BE IN GOOD CONDITION. RAIL NEST IS NOT TO EXTEND ABOVE TOP OF RUNNING RAIL.

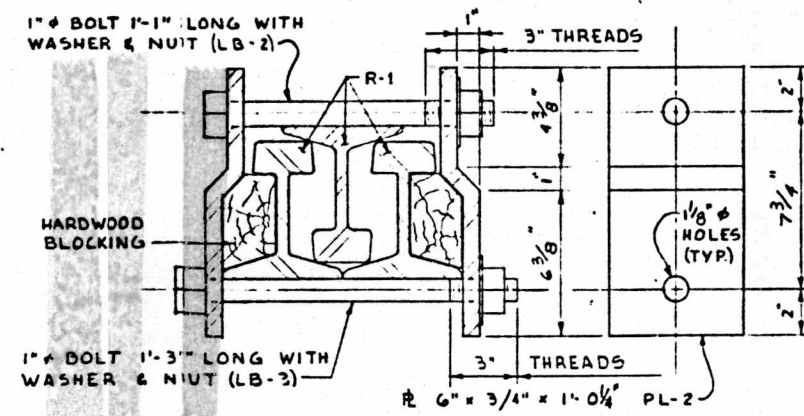
GENERAL NOTES

1. GENERAL SPECIFICATIONS AS PER A.I.E.A. SPECS
2. STRUCTURAL STEEL AS PER ASTM SPECS. A-36.



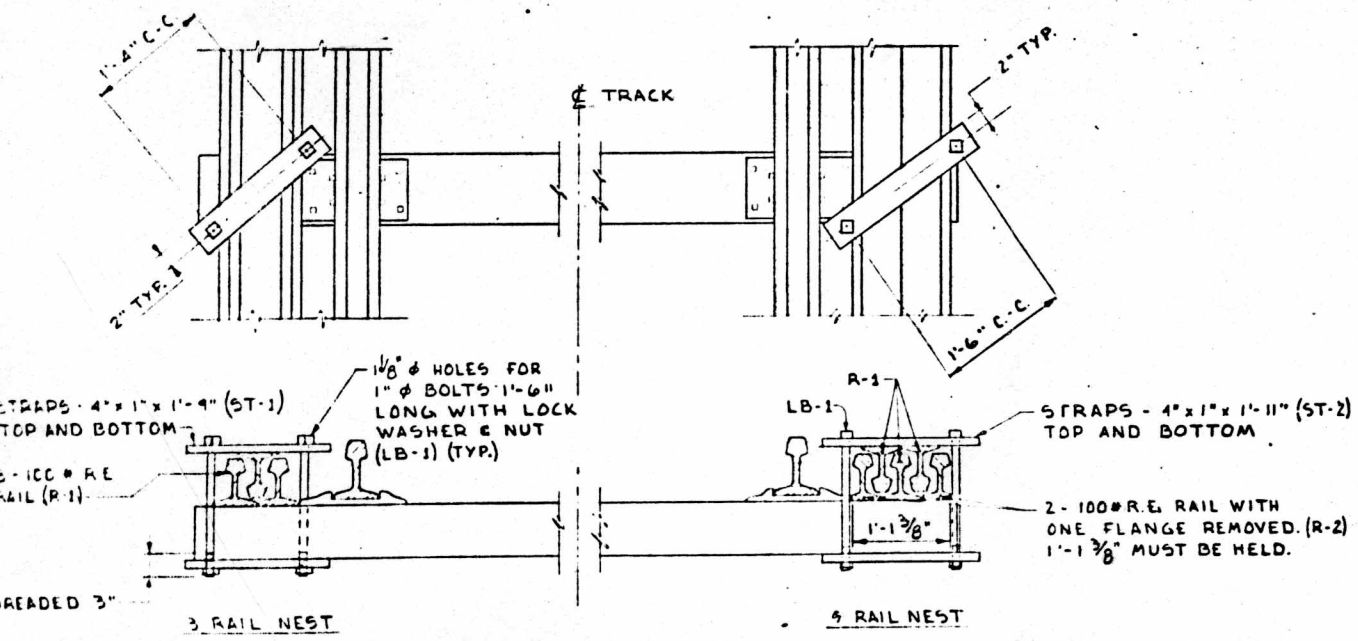
5- RAIL NEST END DETAIL  
SCALE: 3" = 1'-0"

NOTE: ROD TIES TO BE PLACED AT ENDS OF 39'-0" LONG RAIL NEST.



3- RAIL NEST END DETAIL  
SCALE: 3" = 1'-0"

NOTE: ROD TIES TO BE PLACED AT ENDS OF 39'-0" LONG RAIL NEST.



SECTION "A-A"  
SCALE: 1" = 1'-0"

NOTE: STRAPS TO BE PLACED ON EVERY TIE OVER THE SPAN PLUS THREE TIES PAST THE SPAN AND EVERY OTHER TIE TO THE END OF THE NEST.

REVISIONS

NO.	DATE	REVISIONS

SEAL

SIGNATURE

PROJECT TITLE  
TEMPORARY TRACK SUPPORT  
FOR SUPPORT OF TRACKS WHEN TUNNELING OR DRIVING PILLS

DRAWING TITLE  
PLAN, ELEVATION AND DETAILS

DESIGNED BY: [Blank] IN CHARGE: [Blank]

DATE: [Blank]

PLAN NUMBER  
43330-22

DRAWING NUMBER  
[Blank]