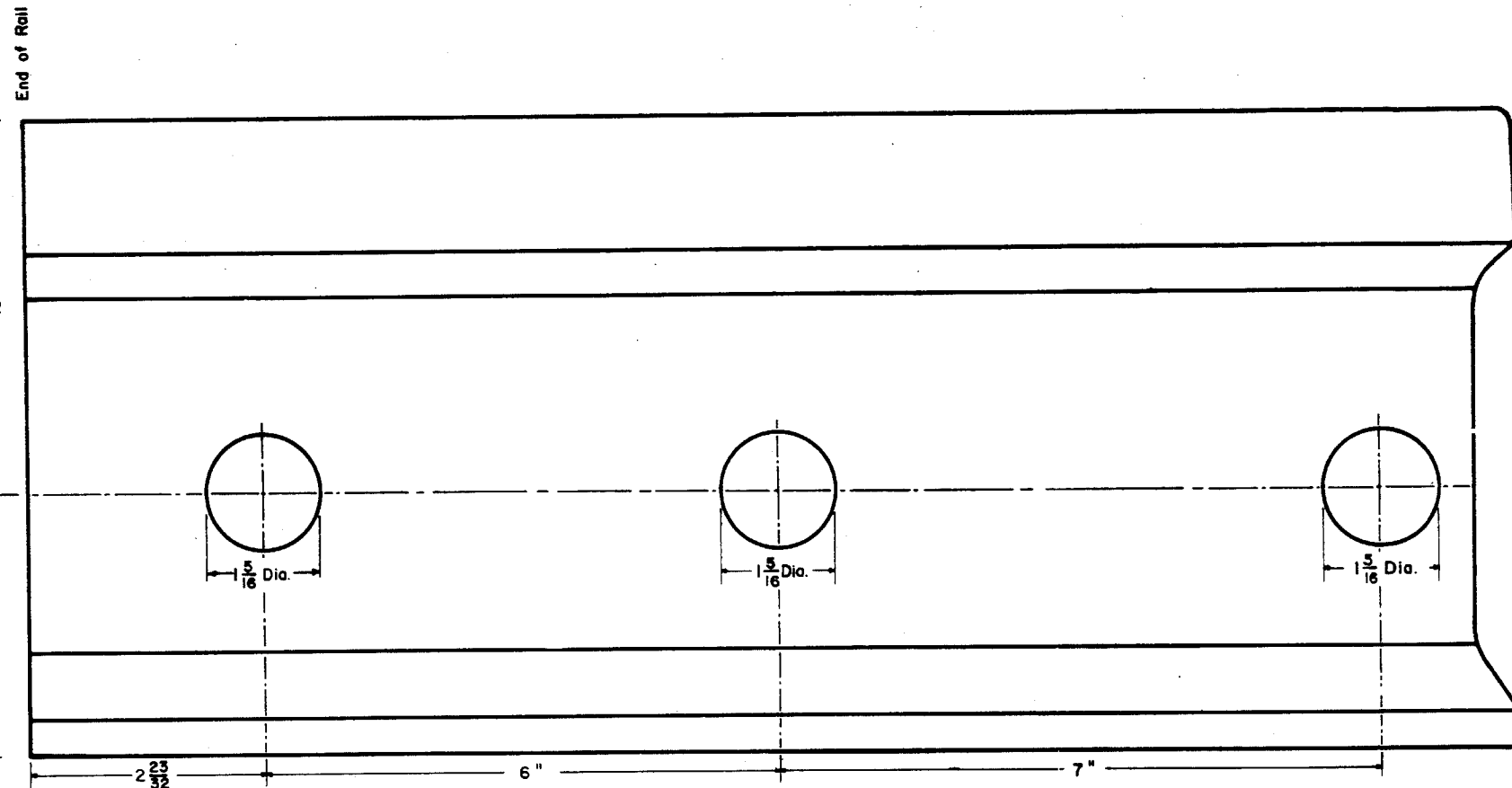


**SECTION**

Calculated Weight per Yard ----- 140.6 lbs.  
Gross Tons per Mile of Track ----- 220.9  
Track Miles per 1000 Gross Tons ----- 4.53



**DRILLING**

**MATHEMATICAL ATTRIBUTES**

Area	Sq. Inches	Per Cent
Head ---	5.0	36.7
Web ---	3.9	28.0
Base ---	4.9	35.3
Total	13.8	100.0
Moment of Inertia	-----	96.8
Sec. Modulus of Head	-----	24.6
Sec. Modulus of Base	-----	28.7
Ratio M.I. to Area	-----	7.0
" Sec. Modulus Head to Area	-----	1.8
" Height to Base	-----	1.22
" Base to Height	-----	0.82

Rails shall be in accordance with current Conrail MW 180 Specifications.

**CONRAIL** **71010-B**

STANDARD

**140 LB. R.E. RAILS**

SEPTEMBER, 1976

*R.H. Smith*  
Chief Engineer - Maintenance of Way
*A.G. Gardner*  
Chief Engineering Officer