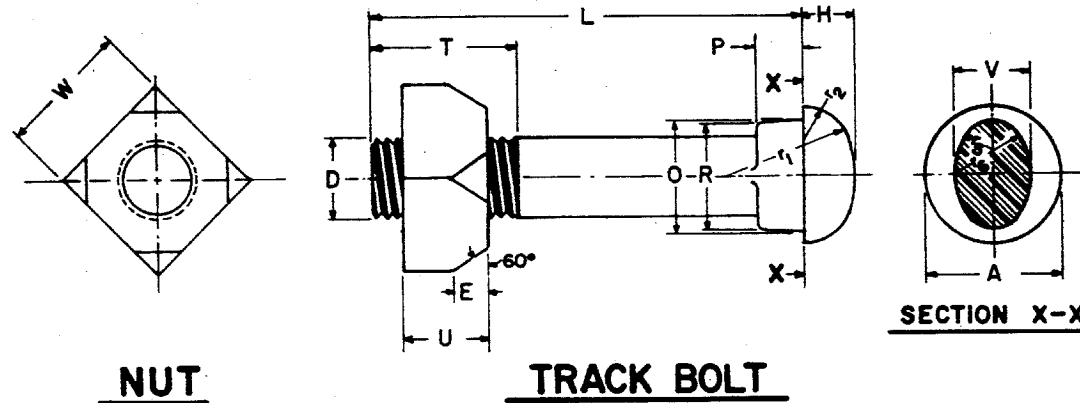


Revisions

B-Oct., 1980
C-Aug., 1984



NUT DIMENSIONS

NOMINAL DIAMETER	WIDTH ACROSS FLATS - W			THICKNESS - U			CHAMFER E
	NOMINAL	MAXIMUM	MINIMUM	NOMINAL	MAXIMUM	MINIMUM	
$\frac{7}{8}$	$1\frac{7}{16}$	1.4375	1.394	$\frac{7}{8}$	0.901	0.833	$\frac{1}{4}$
1	$1\frac{5}{8}$	1.6250	1.575	1	1.028	0.956	$\frac{3}{8}$
$1\frac{1}{8}$	$1\frac{13}{16}$	1.8125	1.756	$1\frac{1}{8}$	1.155	1.079	$\frac{1}{2}$

TRACK BOLTS-ELLIPTICAL NECK

NOMINAL DIA. OVER THREAD D	HEAD DIMENSIONS				ELLIPTICAL NECK DIMENSIONS						LENGTH UNDER HEAD L	MINIMUM THREAD LENGTH T	THREADS PER INCH
	A	H	r ₁	r ₂	O	R	P	r ₅	r ₆	V Approx.			
$\frac{7}{8}$	$1\frac{35}{64}$	$\frac{35}{64}$	$1\frac{25}{64}$	$\frac{33}{64}$	$1\frac{3}{16}$	$1\frac{5}{32}$	$\frac{1}{2}$	$\frac{1}{2}$	$\frac{51}{64}$	$\frac{13}{16}$	4 $\frac{1}{2}$ or 5	2	9
1	$1\frac{11}{16}$	$\frac{5}{8}$	$1\frac{5}{8}$	$\frac{19}{32}$	$1\frac{3}{8}$	$1\frac{11}{32}$	$\frac{9}{16}$	$\frac{3}{8}$	$\frac{15}{16}$	$\frac{15}{16}$	5, 5 $\frac{1}{2}$ or 6	2 $\frac{1}{4}$	8
$1\frac{1}{8}$	$\frac{57}{64}$	$\frac{45}{64}$	$1\frac{55}{64}$	$\frac{43}{64}$	$1\frac{1}{2}$	$1\frac{15}{32}$	$\frac{5}{8}$	$\frac{7}{16}$	1	$1\frac{1}{16}$	5 $\frac{3}{4}$ or 6 $\frac{1}{4}$	2 $\frac{1}{2}$	7

BOLTS-ACCOUNT & REFERENCE NUMBERS

BOLT SIZE	ACCOUNT AND REFERENCE NUMBERS
$\frac{7}{8} \times 4\frac{1}{2}$	01-226313
$\frac{7}{8} \times 5$	01-226347
1 x 5	01-227782
1 x 5 $\frac{1}{2}$	01-229101
1 x 6	01-227790
$1\frac{1}{8} \times 5\frac{3}{4}$	01-231537
$1\frac{1}{8} \times 6\frac{1}{4}$	01-227840

All dimensions are given in inches.

HELICAL SPRING WASHERS

BOLT DIAMETER OVER THREADS	SPRING WASHERS				ACCOUNT & REFERENCE NUMBERS
	INSIDE DIAMETER	OUTSIDE DIAMETER	STOCK SIZES-COILED		
			RADIAL THICKNESS	THICKNESS ALONG BOLT	
$\frac{7}{8}$	$\frac{15}{16}$	$1\frac{13}{16}$	$\frac{7}{16}$	$\frac{1}{4}$	01-874500
1	$1\frac{1}{16}$	$1\frac{15}{16}$	$\frac{7}{16}$	$\frac{1}{4}$	01-875200
$1\frac{1}{8}$	$1\frac{3}{16}$	2 $\frac{1}{16}$	$\frac{7}{16}$	$\frac{1}{4}$	01-875903

NOTES

- 1- All bolts, nuts and spring washers shall conform to current Conrail MW184 Specs.
- 2- All threads to be rolled threads.
- 3- All nuts to be wrench fit.
- 4- All bolts, nuts and spring washers to be thoroughly coated with a metal preservative, approved by the Chief Engineer-M.W.
- 5- In ordering bolts specify the nominal diameter "D" and the correct account and reference number.
- 6- For complete list of bolt applications per rail sections see C.R. Plan 692024-(1), 7 sheets, under "Prescribed Bolt Size" column.

CONRAIL **71500-C**

STANDARD
**TRACK BOLTS, NUTS
AND SPRING WASHERS**

AUGUST, 1979

R.H. Smith
Chief Engineer - Maintenance of Way

A.S. Gordon
Chief Engineering Officer