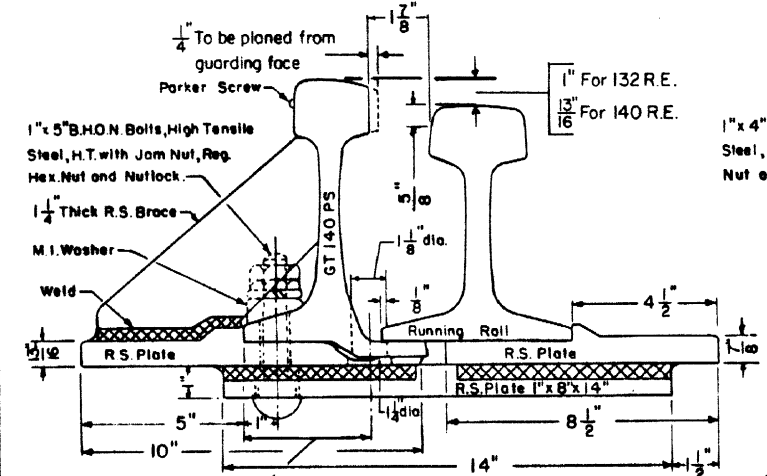
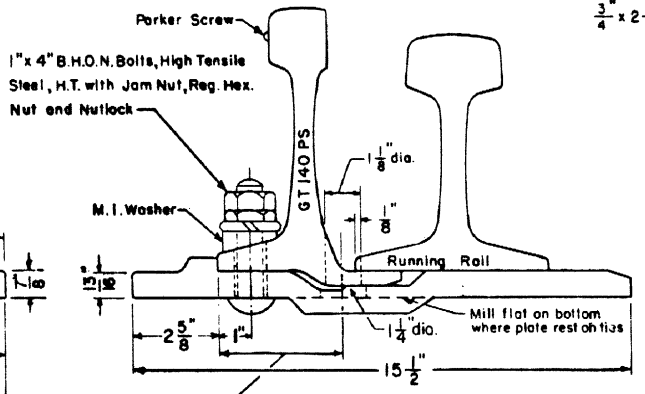


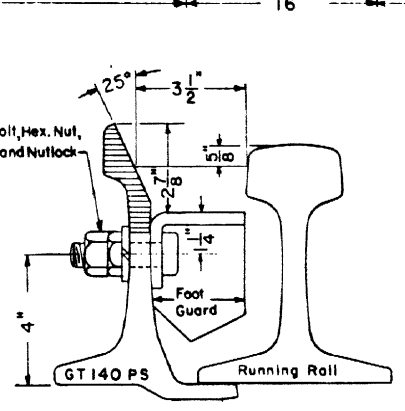
PLAN VIEW



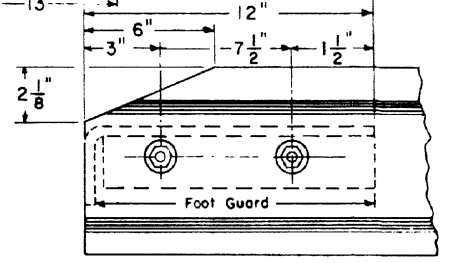
SECTION A-A



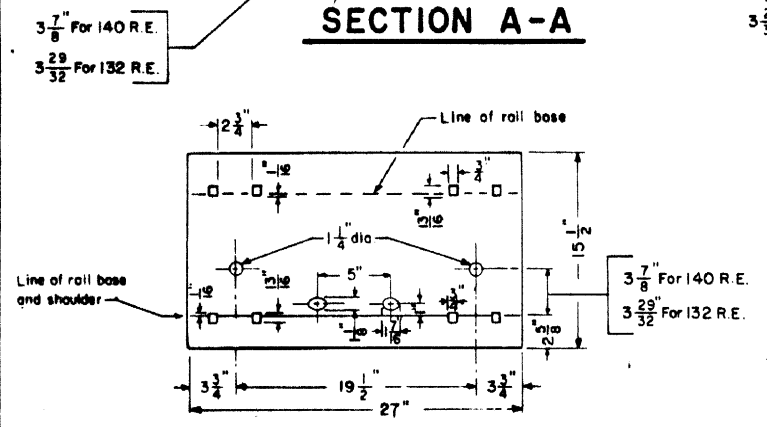
SECTION B-B



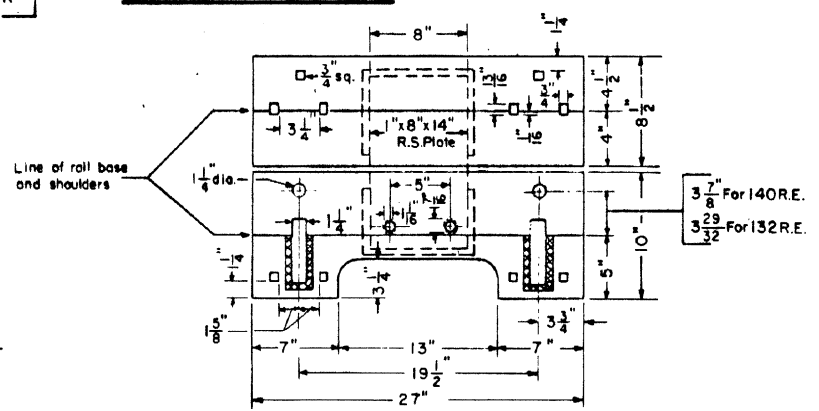
SECTION C-C



DETAIL OF BEVELED ENDS



END PLATES



CENTER PLATES

NOTES

- Guard rail to be used only at location approved by the Chief Engineer - M.W.
- Marker plate shall specify what running rail the guard rail is to be used with - 132 or 140, whichever applies.
- Guard rail manufactured by: - Bethlehem Steel Corporation

CONRAIL 71811-A

SPECIAL ©

13' HOOK FLANGE HIGH GUARD RAIL

WITH 132 R.E. or 140 R.E. RUNNING RAIL

APRIL, 1978

R.H. Smith

Chief Engineer - Maintenance of Way

W.C. Corbin

Chief Engineering Officer