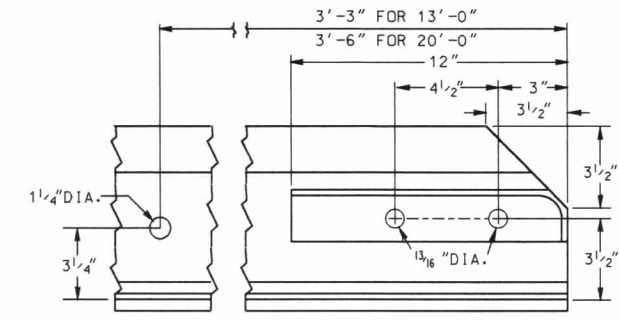


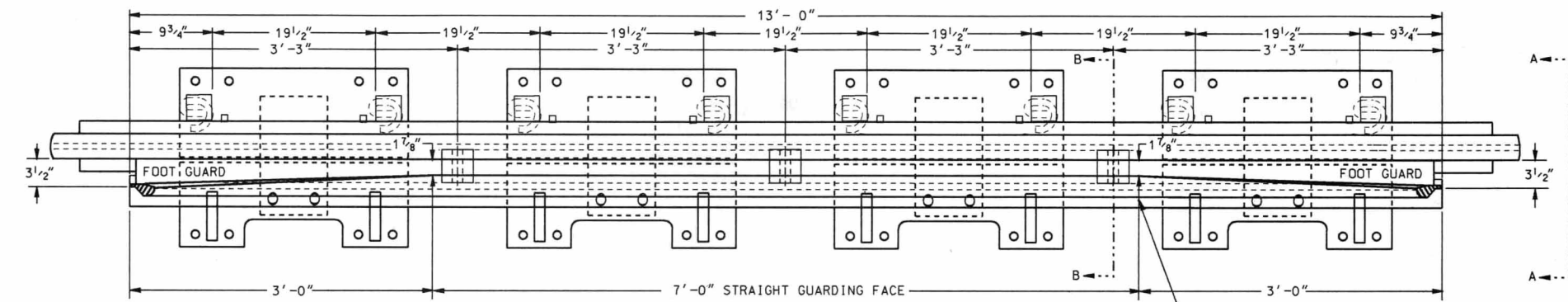
20'-0" HIGH HOOK FLANGE GUARD RAIL

FOR NOS. 15 AND 20 TURNOUTS
ITEM NUMBER: 01-657756

CENTER PUNCH AND PAINT
NON-PLANED SIDE OF GUARD
RAIL TO INDICATE END OF FLARE
(TYP. BOTH ENDS)



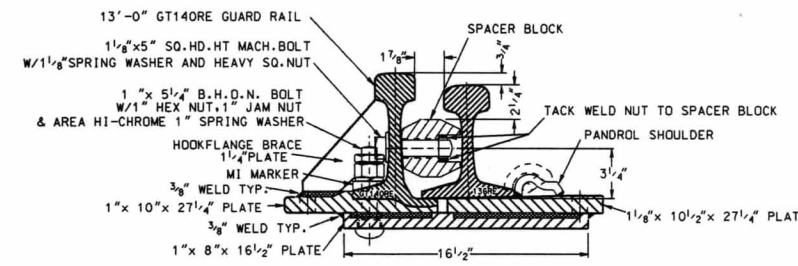
DETAIL OF BEVEL END



13'-0" HIGH HOOK FLANGE GUARD RAIL

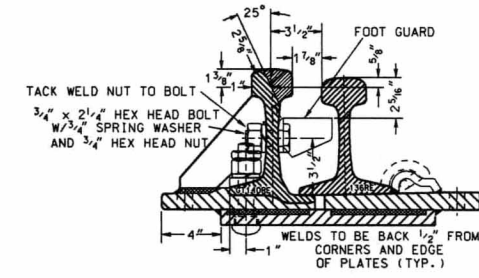
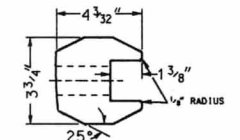
FOR NOS. 8 AND 10 TURNOUTS
ITEM NUMBER: 01-657707

CENTER PUNCH AND PAINT
NON-PLANED SIDE OF GUARD
RAIL TO INDICATE END OF FLARE
(TYP. BOTH ENDS)

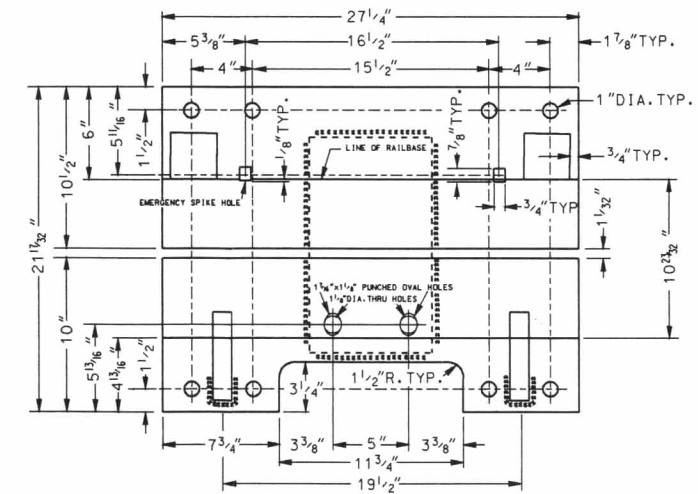


SECTION B-B

SPACER BLOCK



SECTION A-A



DETAIL OF MIDDLE/END PLATE

GUARD RAIL IS MANUFACTURED BY CLEVELAND TRACK MATERIAL, INC.



CONRAIL 71815-A

STANDARD

**13'-0" & 20'-0" PANDROL
HIGH HOOK FLANGE GUARD RAIL**

136RE
NOVEMBER, 1996

A.C.E. - STANDARDS & TRACK ANALYSIS

Chief Engineer