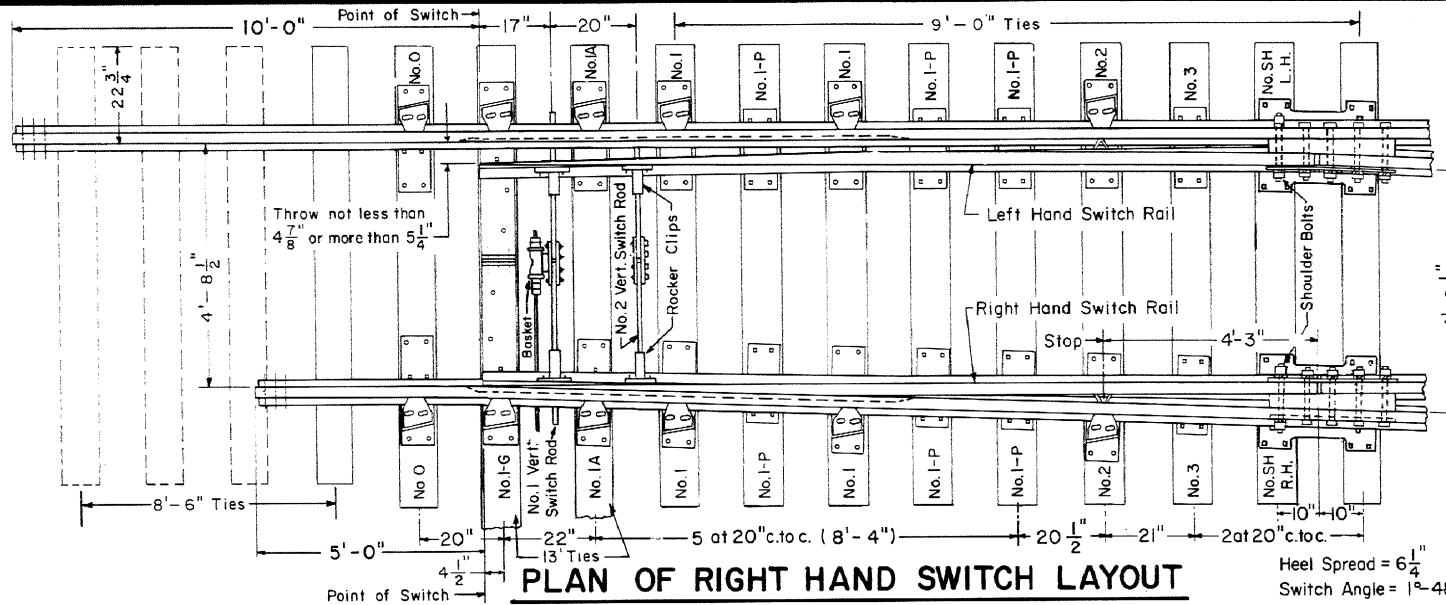
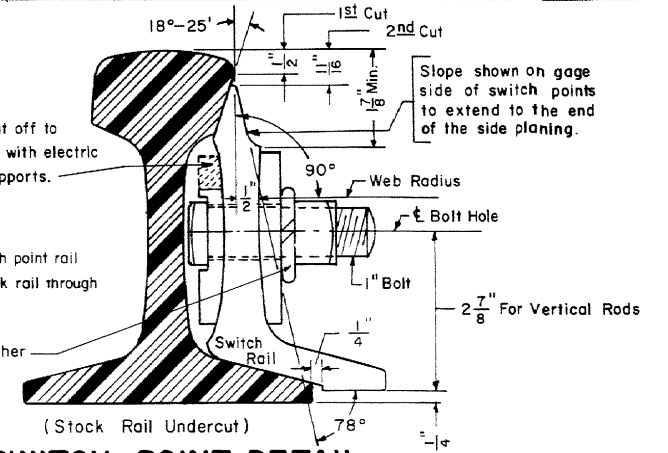


- Revisions
 B - Mar., 1979
 C - May, 1980
 D - July, 1981
 E - Nov., 1983
 F - Feb., 1984
 G - Apr., 1986



PLAN OF RIGHT HAND SWITCH LAYOUT



SWITCH POINT DETAIL

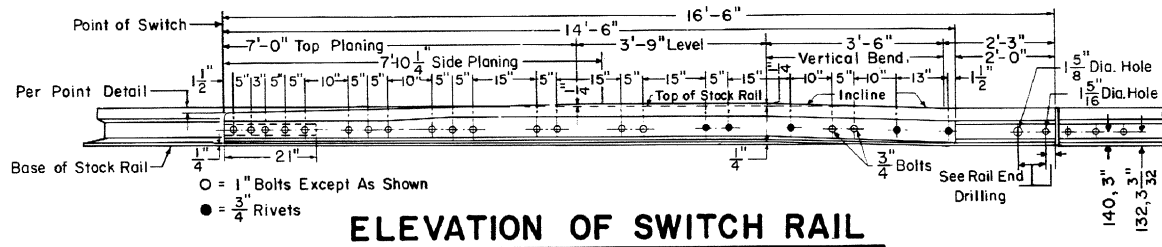
(A.R.E.A. DESIGN 5100)

BILL OF MATERIAL

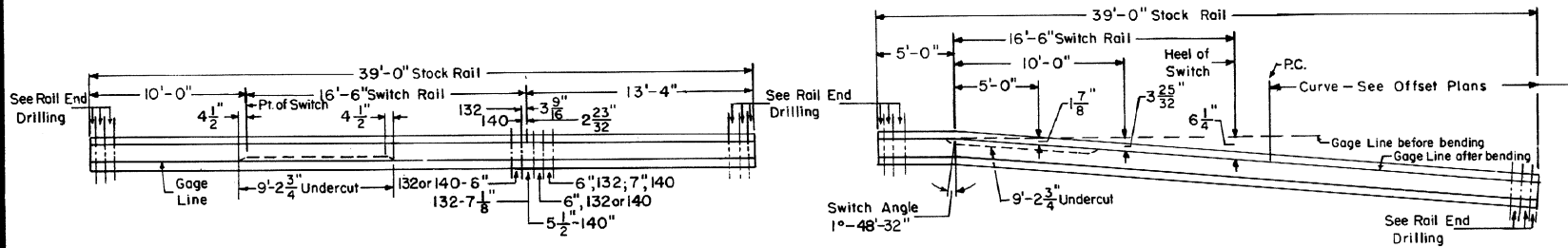
- 1 - Pair 16'-6" Straight Switch Points, complete with reinforcing bars, rocker clips and rail stops attached.
- * 1 - 39'-0" Straight Stock Rail, L.H. Undercut.
- * 1 - 39'-0" Bent Stock Rail, R.H. Undercut.
- 2 - Vertical Switch Rods, with basket. See C.R. Plan 73518-().
- 2 - Heel Block Assemblies, complete. See C.R. Plan 73515-().
- 1 - No. 1-G Insulated Gage Plate
- 2 - No. 0 Adjustable Brace Slide Plate
- 2 - No. 1-A " " " "
- 4 - No. 1 " " " "
- 2 - No. 2 " " " "
- 6 - No. 1-P Shoulder Slide Plate
- 2 - No. 3 " " " "
- 2 - No. SH Heel Plate, 1-R.H. and 1-L.H.
- 12 - Adjustable Rail Braces, Type A, complete with double nuts, double washers and bolts. See C.R. Plan 73515-().
- 2 - Switch Stops. See C.R. Plan 73515-().
- 4 - Adjustable Rocker Clips, for vertical switch rods. See C.R. Plan 73518-().

TURNOUT INFORMATION

- Offsets**
- No. 8 Turnout C.R. Plan 73009-()
 - No. 10 Turnout C.R. Plan 73010-()
- Rail and Tie Layout**
- No. 8 Turnout C.R. Plan 73192-()
 - No. 10 Turnout C.R. Plan 73193-()



ELEVATION OF SWITCH RAIL

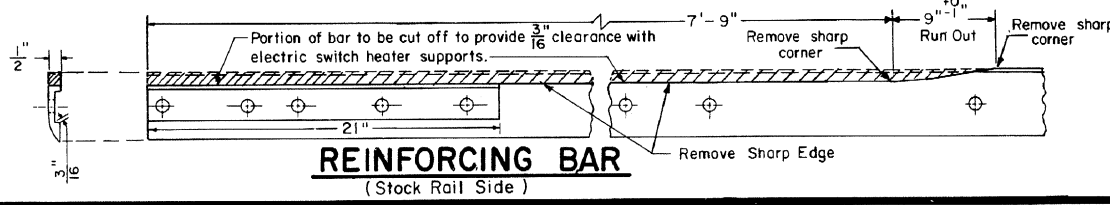


39' STRAIGHT STOCK RAIL

(L.H. As Shown)

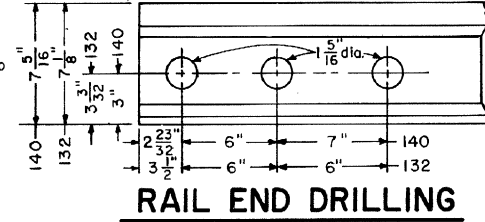
39' BENT STOCK RAIL

(R.H. As Shown)



REINFORCING BAR

(Stock Rail Side)



RAIL END DRILLING

CONRAIL 73167-G

STANDARD

16'-6" STRAIGHT SPLIT SWITCH
 FOR NO. 8 or NO. 10 TURNOUT-UNDERCUT
 132 R.E. or 140 R.E.

FEBRUARY, 1978

R.H. Smith
 Chief Engineer - Maintenance of Way

A.R. Gordon
 Chief Engineering Officer