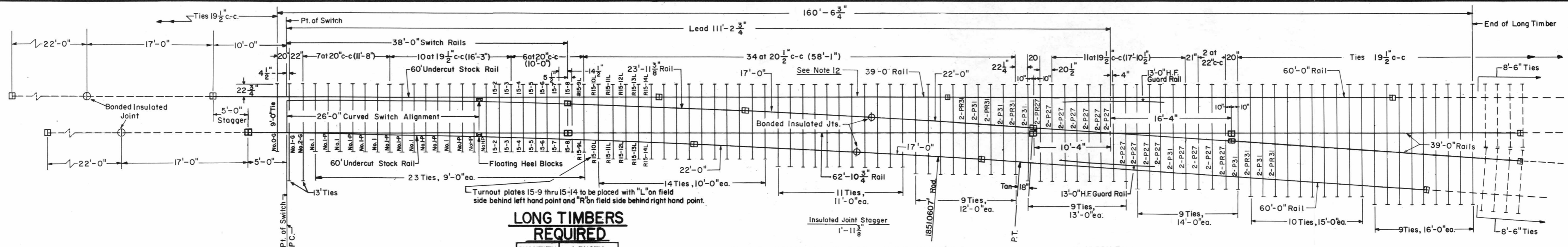


- Revisions
 B - Aug., 1978
 C - May, 1980
 D - Dec., 1981
 E - Jun., 1983
 F - Feb., 1984
 G - May, 1986
 H - June, 1991
 I - March, 1993
 J - Sept., 1994
 K - Dec., 1994
 L - Feb., 1996



LONG TIMBERS REQUIRED

QUANTITY	LENGTH
24	9'-0"
14	10'-0"
11	11'-0"
9	12'-0"
11	13'-0"
9	14'-0"
10	15'-0"
9	16'-0"
97	Total

FROG TIE PLATES REQUIRED

- 26 - P27 SAS Plates
 - 12 - P31 SAS Plates
 - 4 - PR27 SAS Plates
 - 10 - PR31 SAS Plates
- CR Plan 72223 - ()

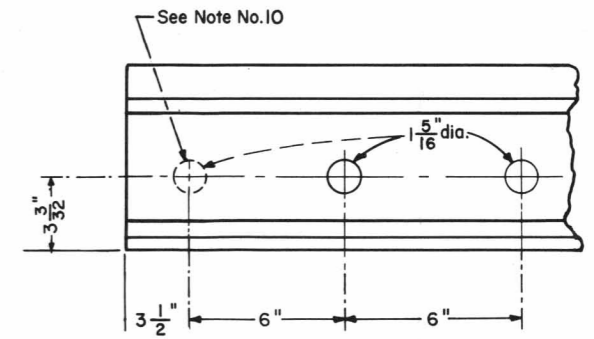
NOTES

- All rails to be Fully Heat Treated and meet CR MW180 Spec.
- Switch rails to be samson.
- 60' stock rails, to be undercut as per Plan 73062 - () .
- For switch detail see Plan 73182 - () .
- Gage plates O-G, I-G and 2-G as per Plan 73522 - () .
- Switch plates Nos. 1, H-P, I-P as per Plan 73522 - () .
- Turnout plates, No. 2 thru No. 14 as per Plan 72225 - () .
- Vertical insulated switch rods and adjustable rocker clips, generally as per Plan 73516 - () .
- Floating heel block, as per Plan 73182 - () .
- All rails, including switch rails, to be drilled per Conrail Plan 71015 - () or 71016 - () , except that first hole is not to be drilled by the manufacturer. Conrail forces to field drill first hole when necessary.
- See Conrail Plan 73184 - () , sheet 2, for Bill of Material.
- When a third insulated joint is required (as per Plan 71325 - () , Sheet 2) weld the 22'-0" end of the 39'-0" Bonded Joint Plug to the end of the 60'-0" stock rail on the straight (Main Line) side.
- Bonded Insulated Joints furnished with Turnout and manufactured by Approved Vendor.

No. 15 RBM Frog - Plan No. 74162 - ()

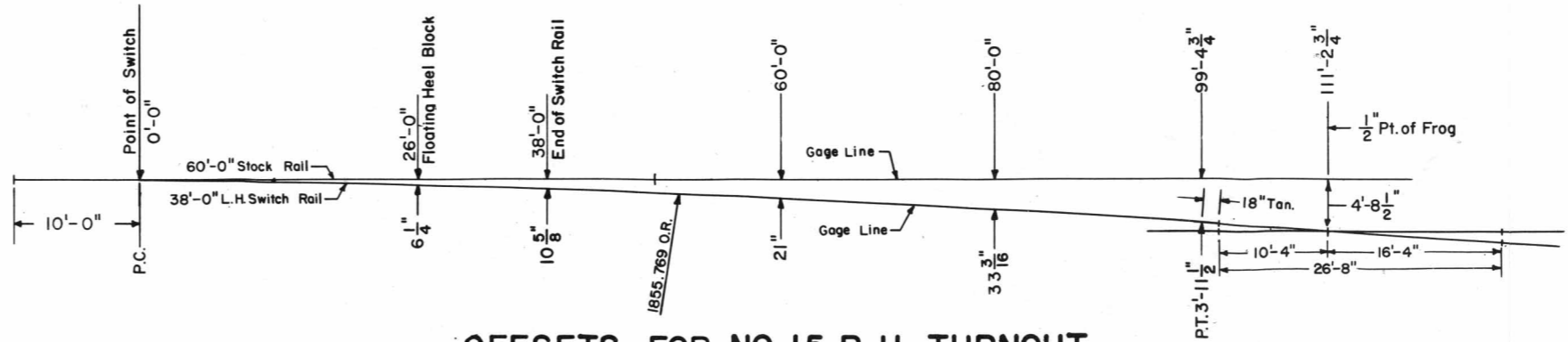
LEGEND

- Indicates standard bolted joint with 1/8" opening
- Indicates bonded insulated joints
- Indicates field welded joints.
- Indicates rails furnished by the manufacturer.
- Indicates rails furnished by Conrail.



RAIL END DRILLING

ALL PANDROL TURNOUT



OFFSETS FOR NO. 15 R.H. TURNOUT

CONRAIL 73186-L
 STANDARD
NO. 15 WELDED TURNOUT TIE AND RAIL LAYOUT
 JANUARY, 1978
 R.H. Smith, Chief Engineer - Maintenance of Way
 C.P. Gordon, Chief Engineering Officer