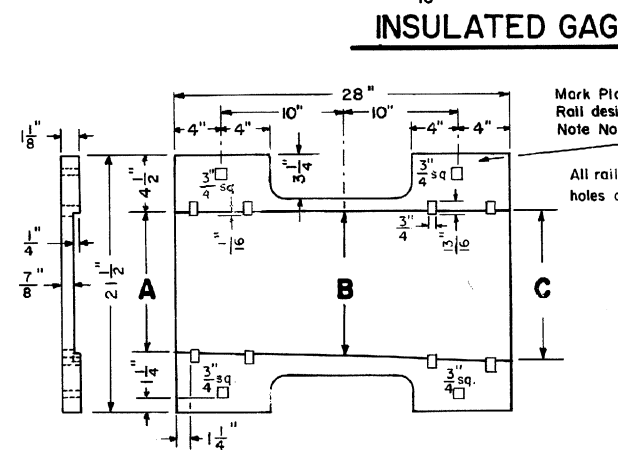
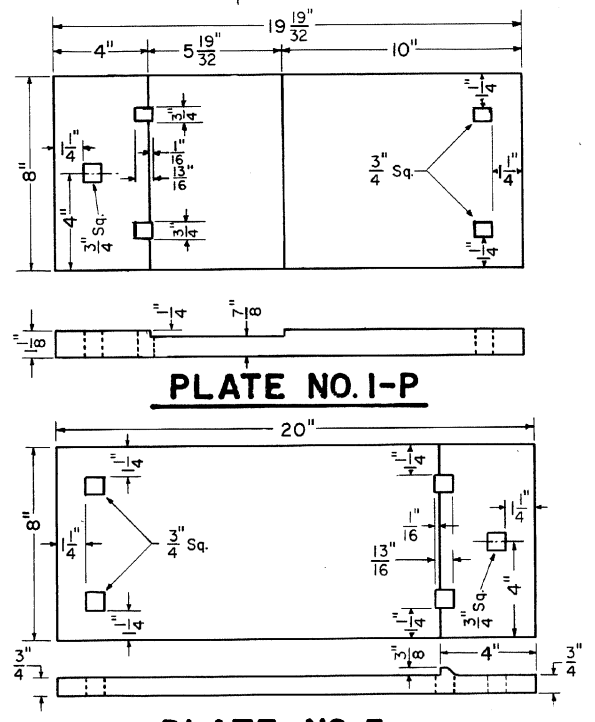
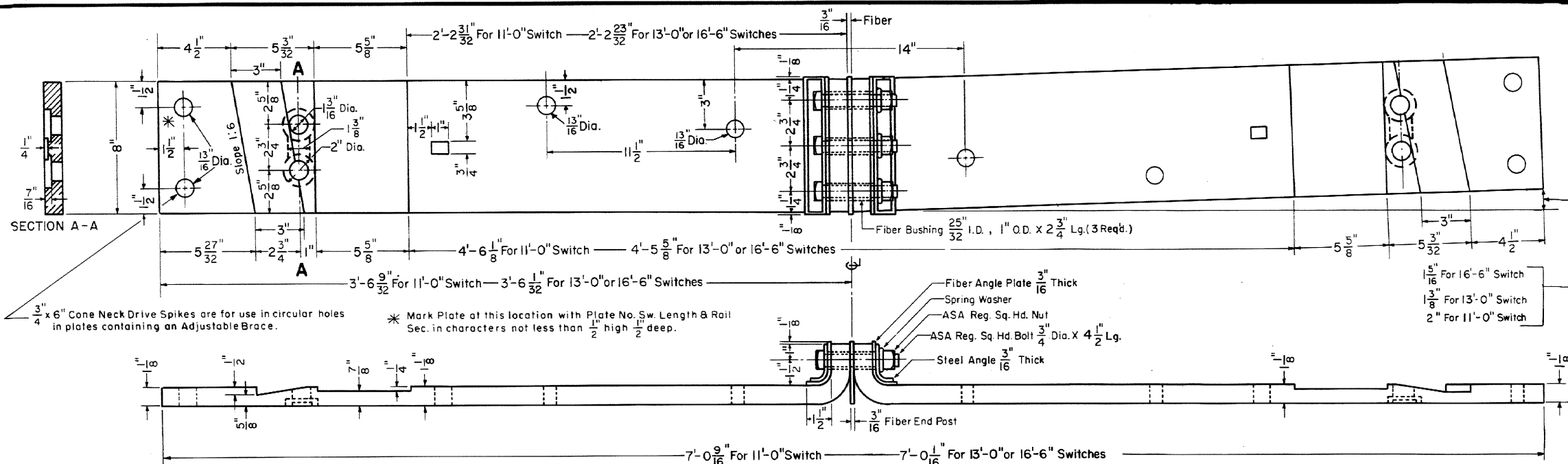
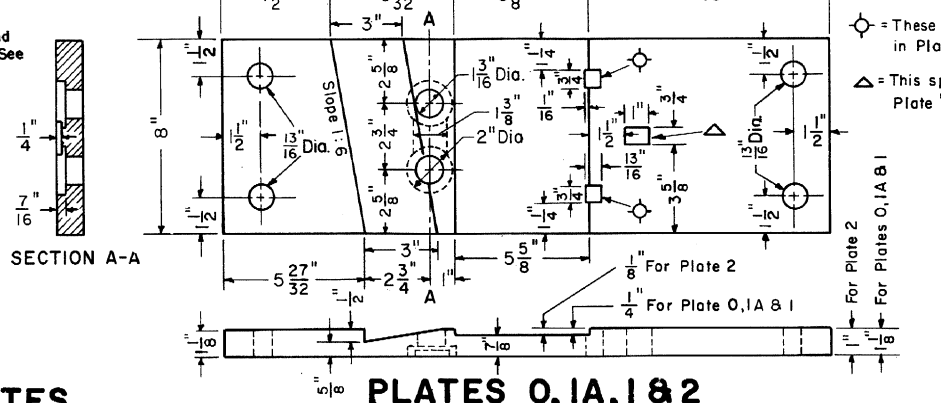


Revisions

- B-Mar, 1979
- C-Dec., 1981
- D-Dec., 1987



SWITCH LENGTH	A	B	C
11' & 13'	11 ¹⁷ / ₃₂ "	11 ²¹ / ₃₂ "	12 ¹ / ₄ "
16'-6"	11 ²³ / ₃₂ "	11 ²⁷ / ₃₂ "	12 ¹ / ₄ "



NOTES

- 1- All plates shall conform with A.R.E.A. Specifications for Low-Carbon Steel Tie Plates, with copper.
- 2- All plates must be clearly marked with deeply cut characters to indicate manufacturer's name or trade mark, rail section. Plates I-6, and SH(R&L) shall also have switch length indicated.
- 3- Fiber parts shall conform to A.A.R. Signal Section Manual Part 58, Specification No.13 and A.A.R. Signal Section Manual Part 178.

7350I-D

STANDARD

SWITCH PLATES

FOR 11'-0" , 13'-0" and 16'-6" SWITCHES
 119LB R.E.RAIL

OCTOBER, 1976

Chief Engineer - Maintenance of Way

Chief Engineering Officer