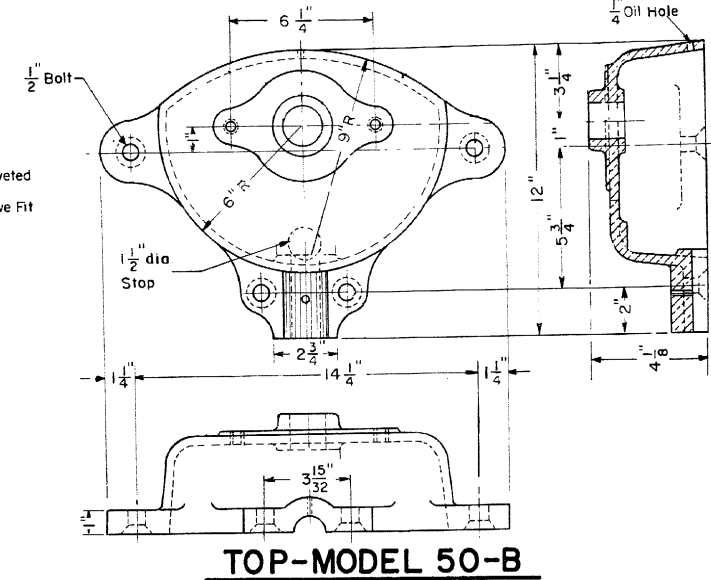
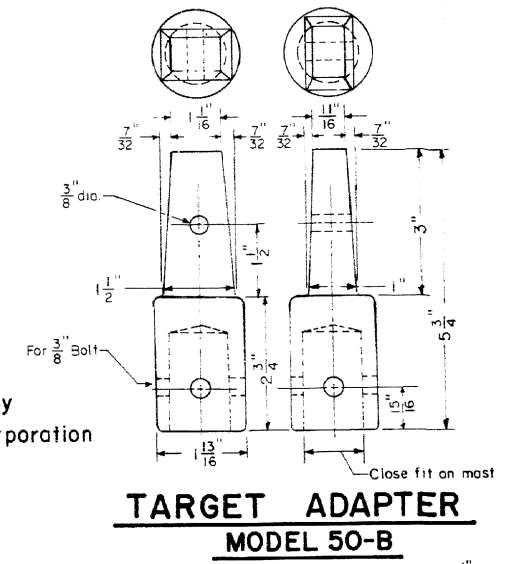
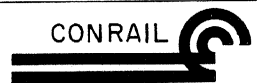


Manufactured By
Bethlehem Steel Corporation



CONRAIL  **73901-B**
Sheet 2 of 2

STANDARD

NEW CENTURY SWITCH STAND
INTERMEDIATE - MODEL 50-B
AND
LOW - MODEL 50-A

RHS Smith Chief Engineer - Maintenance of Way
JULY, 1979
CLG Gordon Chief Engineering Officer