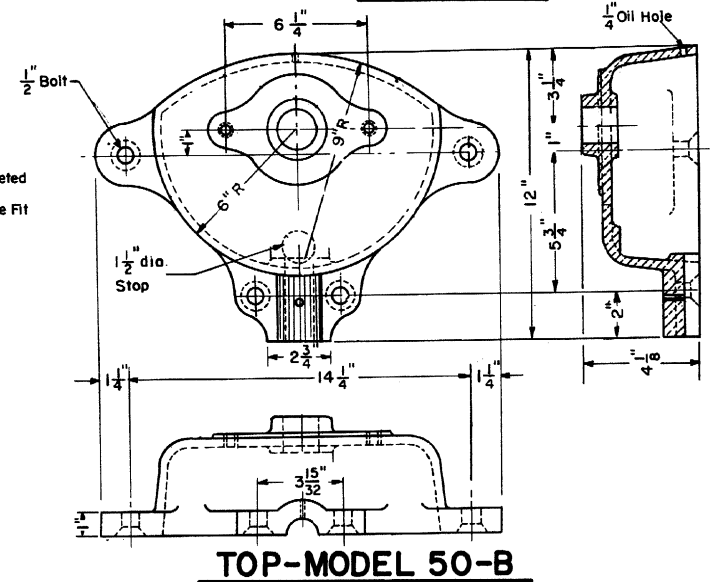
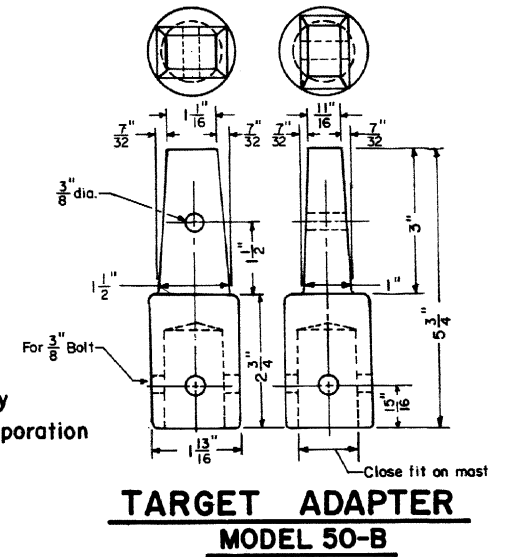
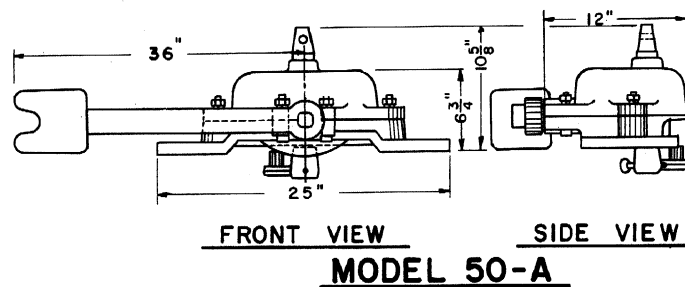
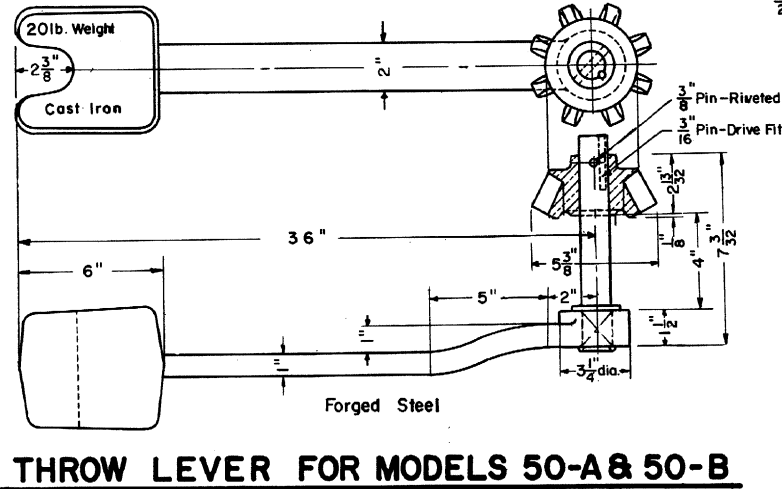
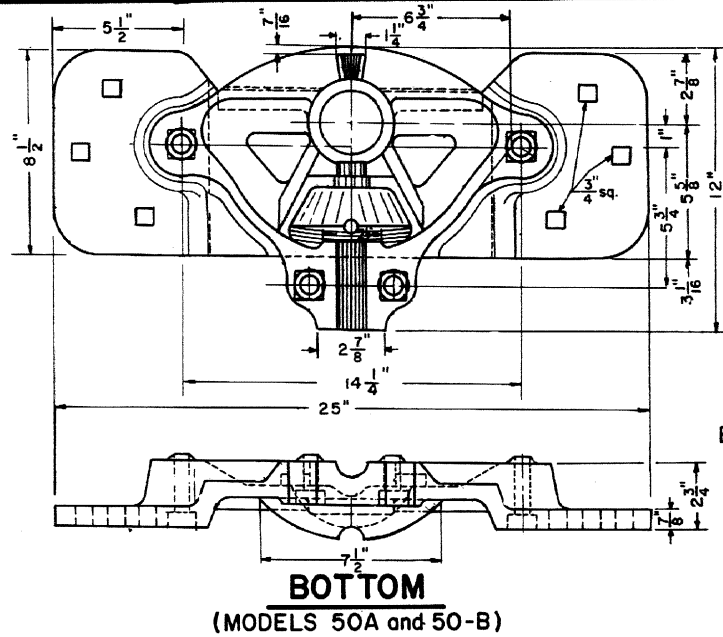
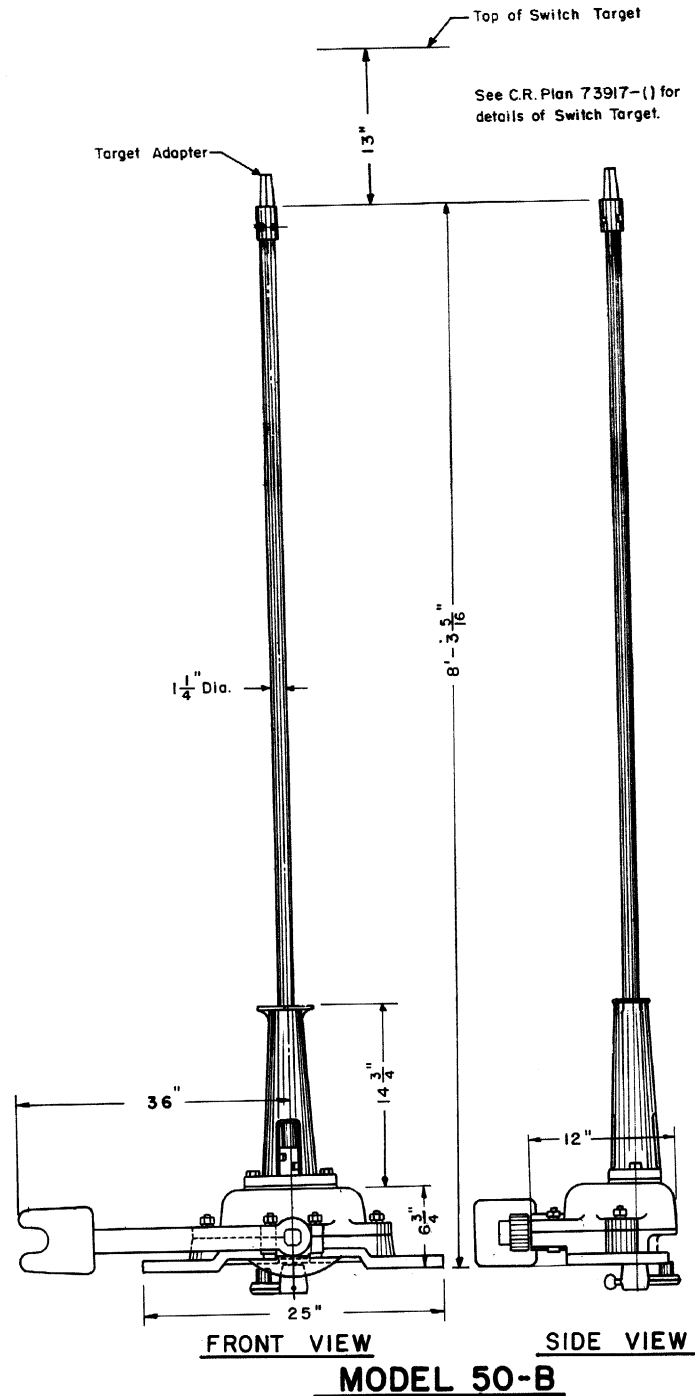


Revisions
 B - Mar., 1980
 C - Nov., 1989



CONRAIL **73901-C**
 Sheet 2 of 2

STANDARD
NEW CENTURY SWITCH STAND
 INTERMEDIATE - MODEL 50-B
 AND
 LOW - MODEL 50-A
 JULY, 1979

RHS Smith Chief Engineer - Maintenance of Way
LB Chief Engineering Officer