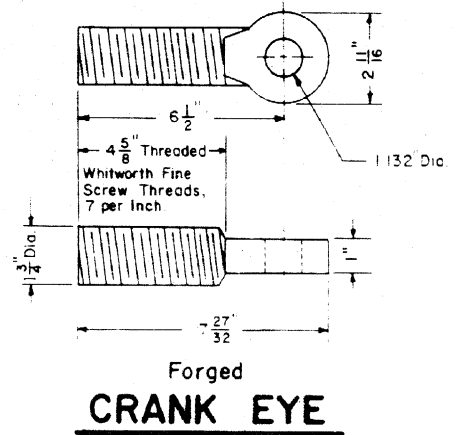
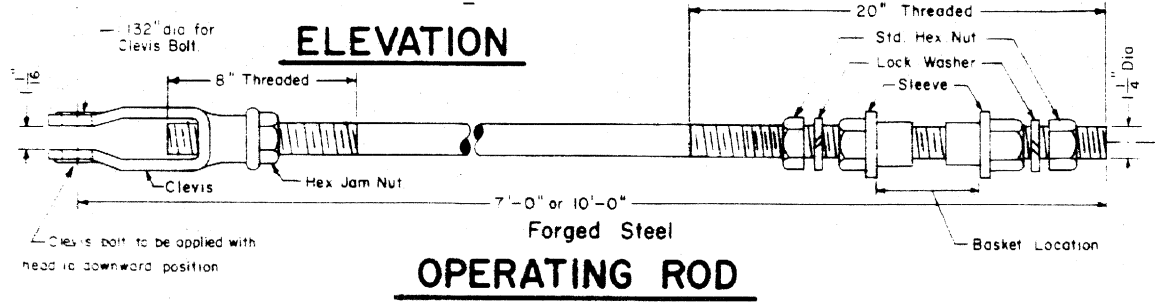


Switch Stand manufactured by Bethlehem Steel Corporation

TRACK CENTERS		"X" DISTANCE
FROM	LESS THAN	(Gage Line of Near Rail to ϵ of Spindle)
12'-2"	13'-0"	3'-8 3/4"
13'-0"	14'-0"	4'-1 3/4"
14'-0"	17'-0"	4'-7 3/4"
17'-0" or More		7'-0"

NOTE For all switch stands, when not located between tracks, the "X" distance shall be a minimum of 7'-0"

SWITCH STAND LOCATION



CONRAIL 73902-A

STANDARD

AUTOMATIC SWITCH STAND MODEL-22A

NOVEMBER 1976

RHS Chief Engineer - Maintenance of Way

W. G. Gordon Chief Engineering Officer