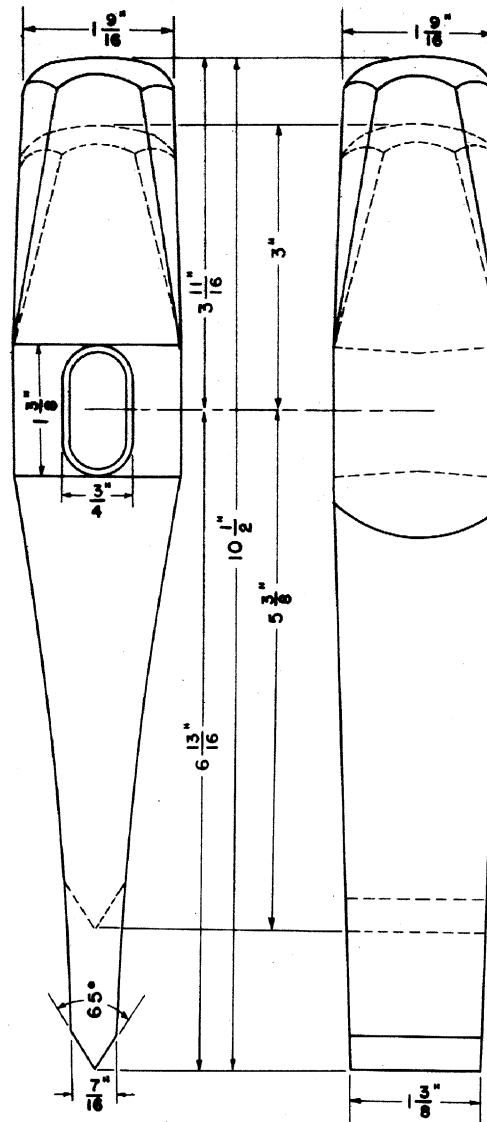
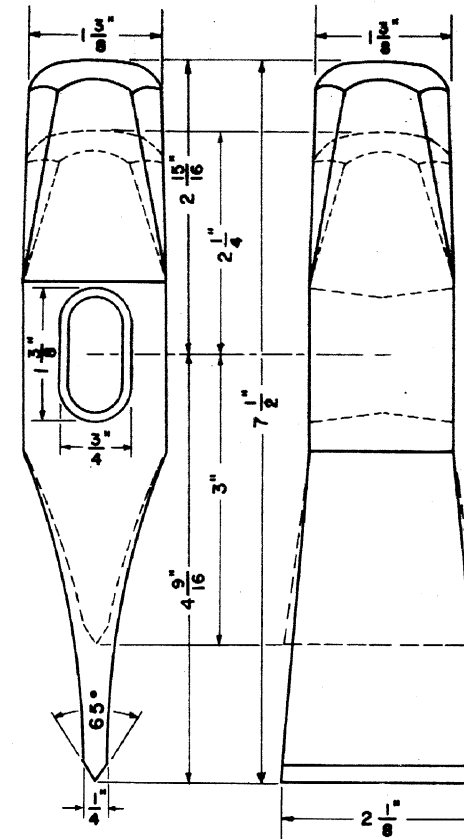


TRACK CHISEL
 AREA PLAN 17-80
 APPROX. WEIGHT 5 1/2 LBS.



NUT CUTTER
 AREA PLAN 35-80
 APPROX. WEIGHT 5 1/2 LBS.



HOT CUTTER
 APPROX. WEIGHT 3 LBS.

NOTES

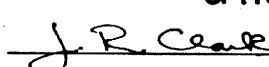
- 1-Dashed lines indicate outline (minimum) of tools as reclaimed.
- 2-Contour of struck face to be as shown on Conrail Plan 77402-().
- 3-Tools shown to be AREA Grade B Alloy Steel.
- 4-Handle for Hot Cutter to be 36" HB-2.
- 5-Head Hardness to be 409-455 Brinell. Point Hardness to be 577-634 Brinell.
- 6-Handles for Nut Cutter and Track Chisel to be 22" HB-2.
- 7-All crown radii are 2"

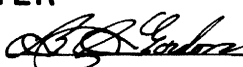
CONRAIL **77400-A**

STANDARD

**TRACK CHISEL, NUT CUTTER
& HOT CUTTER**

JUNE, 1984


 Chief Engineer - M.W.


 Chief Engineering Officer