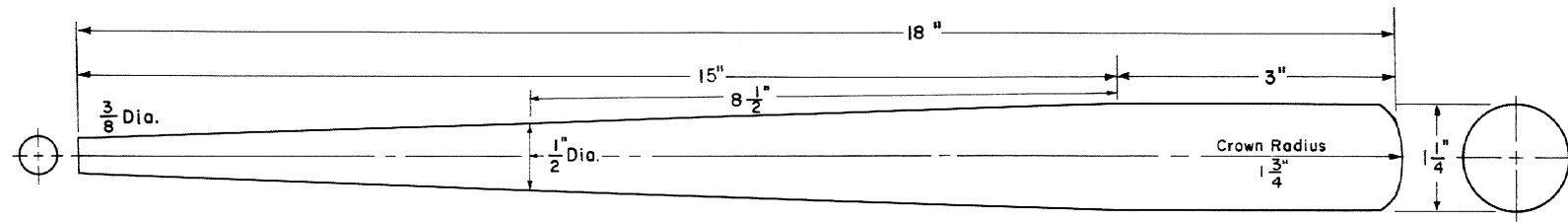
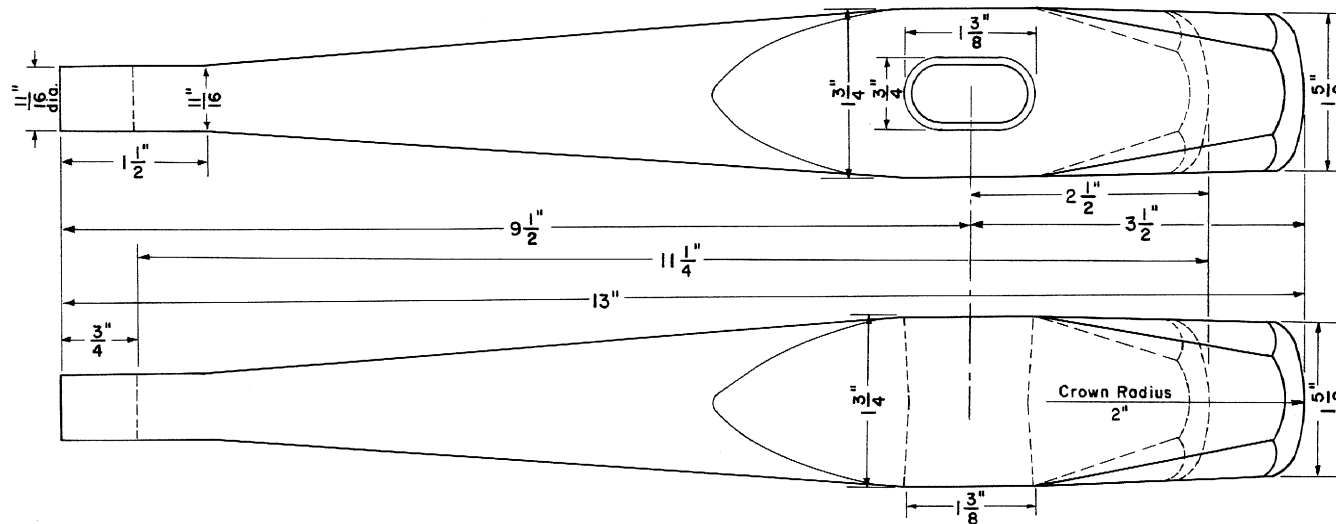


Revisions  
 B-JAN., 1985  
 C-May, 1986



**DRIFT PIN**  
**AREA PLAN 39-83**

ACC'T and REF. No. 45-426242



**ROUND TRACK PUNCH**

AREA PLAN 19-83  
 APPROX. WEIGHT 5 1/2 LBS.

ACC'T and REF. No. 45-458807

**NOTES**

- 1-Dashed lines indicate outline (minimum) of tools as reclaimed.
- 2-Contour of struck face to be as shown on Conrail Plan 77402-().
- 3-Tools shown to be AREA Grade B Alloy Steel.
- 4-Handles for Round Track Punch (when furnished) to be 22" HB-2.
- 5-Round Track Punch Head Hardness to be 409-455 Brinell. Punch End Hardness to be 512-577 Brinell.
- 6-Overall hardness for Drift Pin to be 409-455 Brinell.

**CONRAIL**  **77403-C**

STANDARD

**ROUND TRACK PUNCH  
 & DRIFT PIN**

JUNE, 1984

*J. R. Cease*  
 Chief Engineer - M.W.

*W. E. Gordon*  
 Chief Engineering Officer