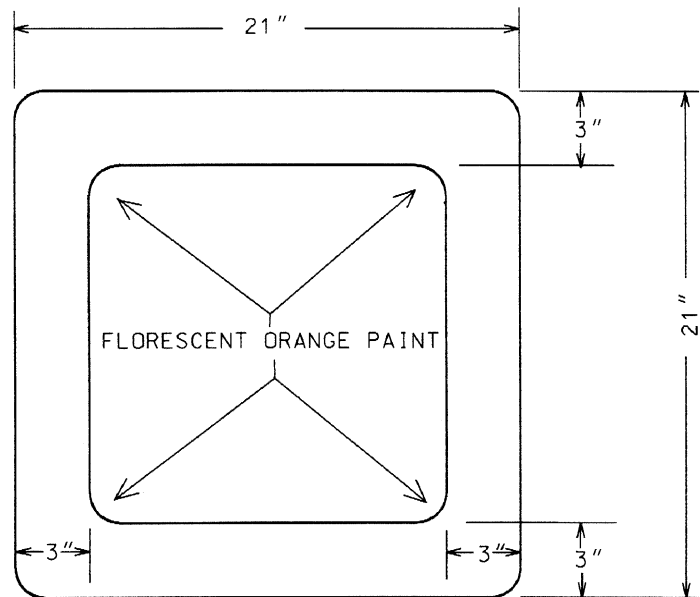
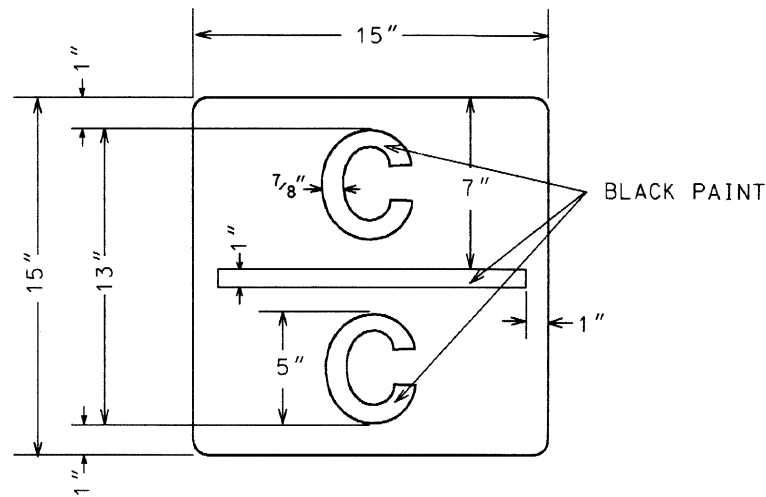


SIGN



1ST STENCIL APPLIED



2ND STENCIL APPLIED

NOTES

- 1-SIGNS SHALL BE 0.081'-T6 ALUMINUM SHEET OR PLASTIC WITH ONE SIDE COVERED WITH NO 580-14 ORANGE SCOTCHLITE™ AND NO. 3655 BLACK SCOTCHCAL™ LETTERS OR EQUIVALENT.
- 2-LETTERS TO BE AS SHOWN ON PLAN 78010-().
- 3-STENCIL WHERE PRACTICABLE, ON OVERHEAD BRIDGE ABUTMENT, SIGNAL BRIDGE OR OTHER STRUCTURE DETERMINED TO BE A CRITICAL CLEARANCE STRUCTURE.
- 4-SIGNS CAN BE USED WHERE STENCIL MAY NOT BE PRACTICABLE.
- 5-APPLY STENCIL OR SIGN ADJACENT TO TRACK WHICH IS DESIGNATED AS CRITICAL.

CONRAIL 78012-A
STANDARD
CRITICAL CLEARANCE STRUCTURES SIGN
SEPTEMBER, 1994
W. L. Heide DIR. - STANDARDS & TRACK ANALYSIS
P. Willbost CHIEF ENGINEER