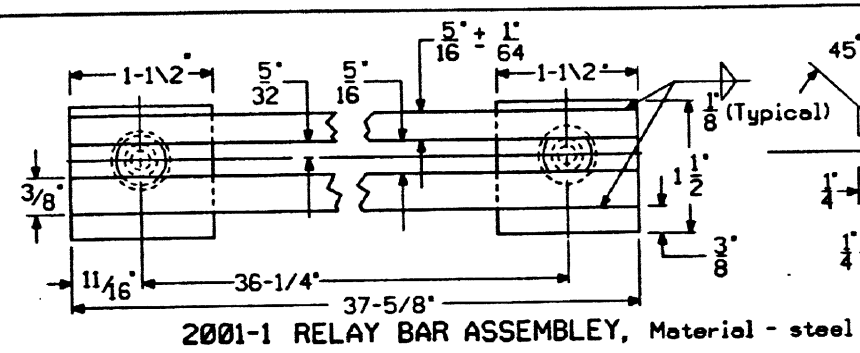
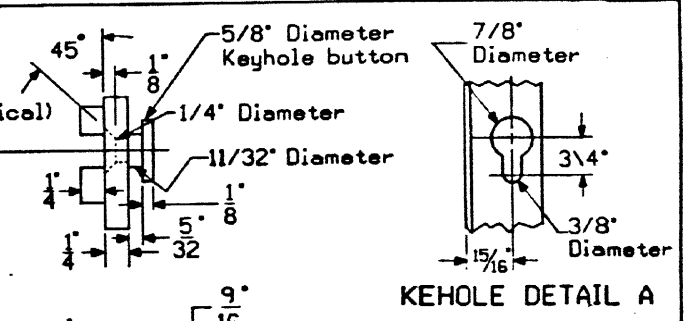


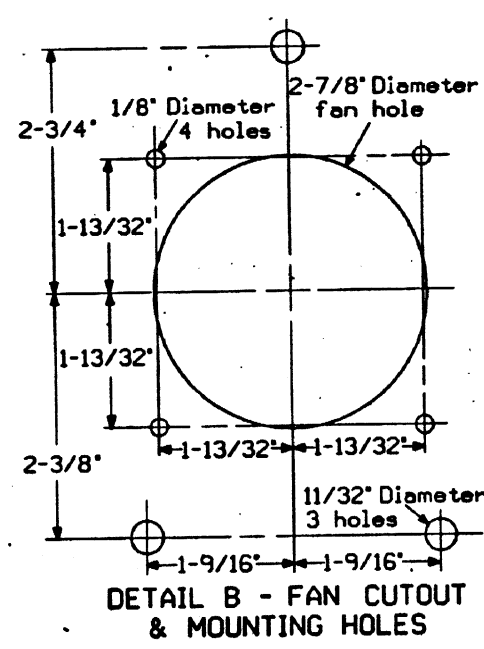
SHELF SUPPORT & RELAY BAR ARRANGEMENT
View from front of high double case



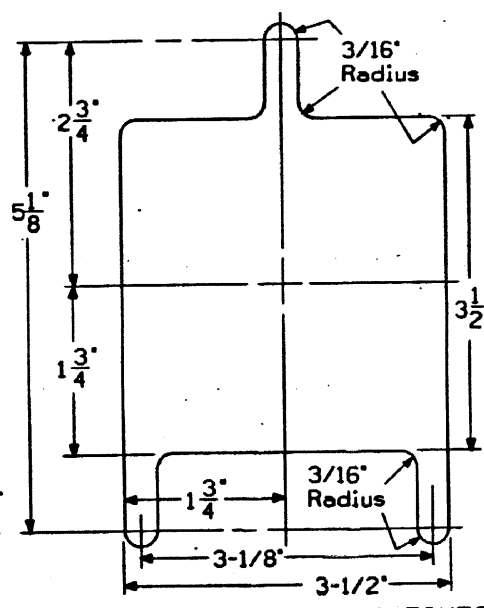
2001-1 RELAY BAR ASSEMBLY, Material - steel



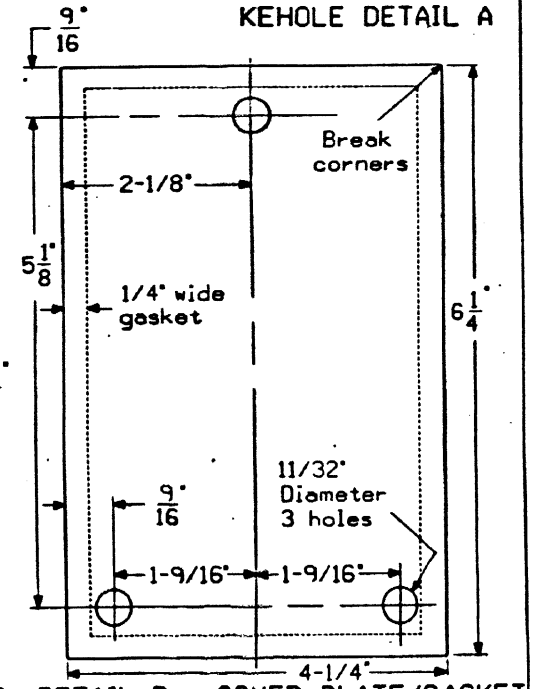
KEYHOLE DETAIL A



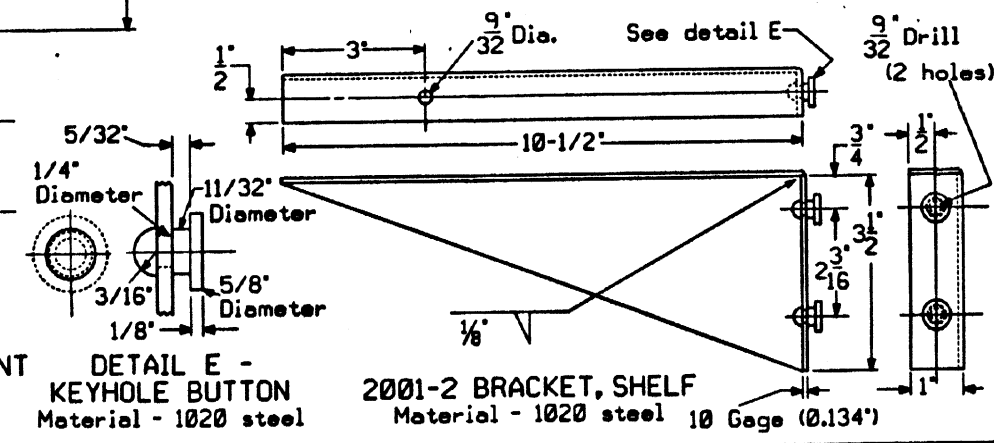
DETAIL B - FAN CUTOUT & MOUNTING HOLES



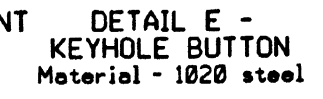
DETAIL C - AERIAL CUTOUTS



DETAIL D - COVER PLATE/GASKET
Material - 1/8\"/>



2001-2 BRACKET, SHELF
Material - 1020 steel 10 Gage (0.134\"/>



DETAIL E - KEYHOLE BUTTON
Material - 1020 steel

SHEET 4
CONT ON SH 5

CONRAIL CS-2001

STANDARD
STEEL CASE
DETAILS

ISSUE DATE: NOV. 6, 1986

REV.		
------	--	--

DATE	BY