

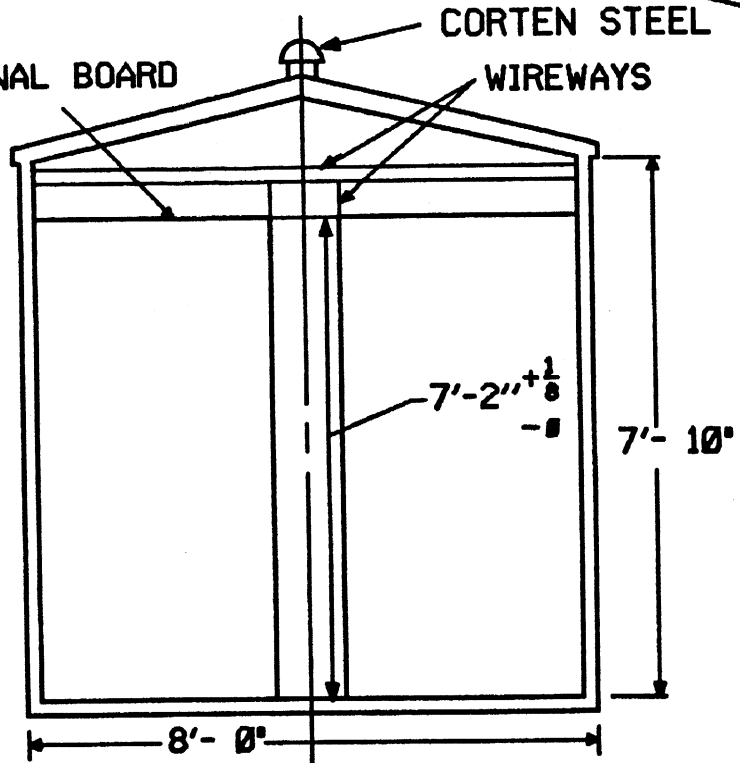
SHELF SUPPORT  
 TERMINAL BOARD  
 FRAME  
 CABLE RISER  
 KNOCKOUTS  
 CABLE CHUTE  
 DOOR HANDLE  
 INSIDE ONLY  
 SCREENED AIR  
 INLET IN FLOOR

24'-10"

PLAN VIEW LADDER TYPE WIREWAYS

SIDE TO SIDE WIREWAY TO BE  
 INSTALLED AT EACH END OF HOUSE

CORTEN STEEL  
 WIREWAYS  
 TERMINAL BOARD  
 FRAME



FRONT TO BACK WIREWAY TO BE  
 MOVABLE FROM SIDE TO SIDE

FRONT VIEW

NOTES:  
 1. ORDERING REFERENCE FOR HOUSE IS 02-247854.  
 2. SEE SH 11 FOR CONSTRUCTION DETAILS AND SH 12  
 FOR SPECIFICATIONS.

SHEET 10  
 CONT'D ON SH 11

**CONRAIL**  **CS-2502**

STANDARD  
 RELAY HOUSE  
 8 X 24  
 FEB. 28, 1965

REV.	DATE	BY