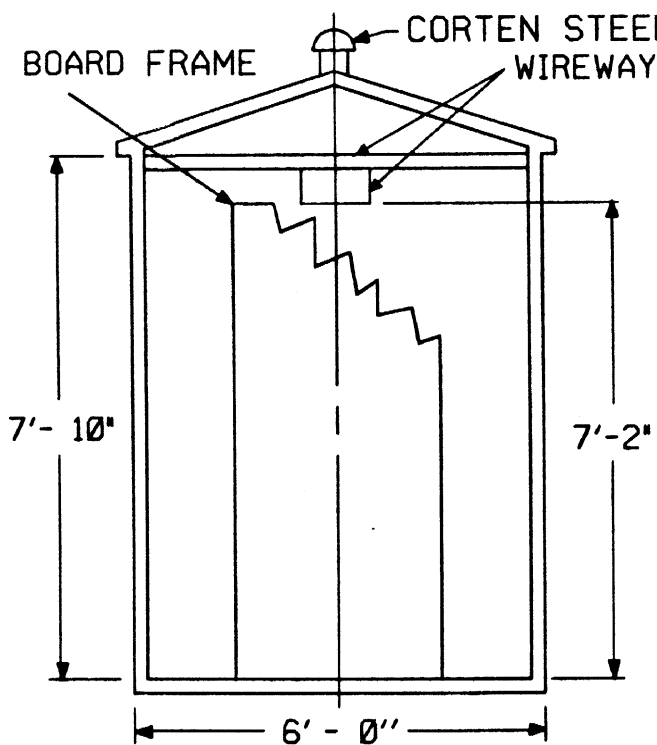
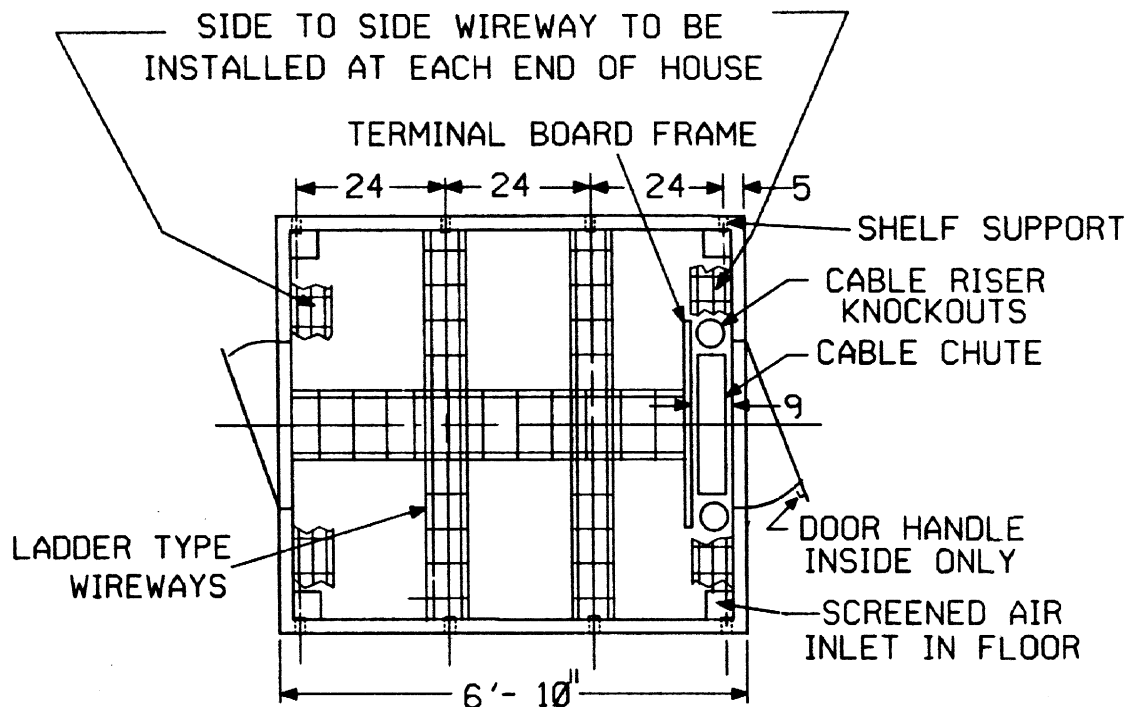


TERMINAL BOARD FRAME
CORTEN STEEL WIREWAYS



FRONT VIEW



PLAN VIEW

FRONT TO BACK WIREWAY TO BE MOVABLE FROM SIDE TO SIDE

- NOTES:
1. ORDERING REFERENCE FOR HOUSE IS 02-247631
2. SEE SH 11 FOR CONSTRUCTION DETAILS AND SH 12 FOR SPECIFICATIONS.

SHEET 1A

CONRAIL



CS-2502

STANDARD

RELAY HOUSE

6 X 6

ISSUE DATE: JAN.15,1986

REV.

REV	DATE	CHK BY