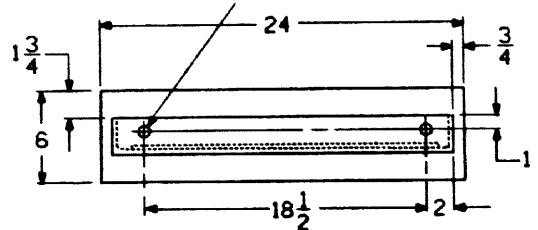
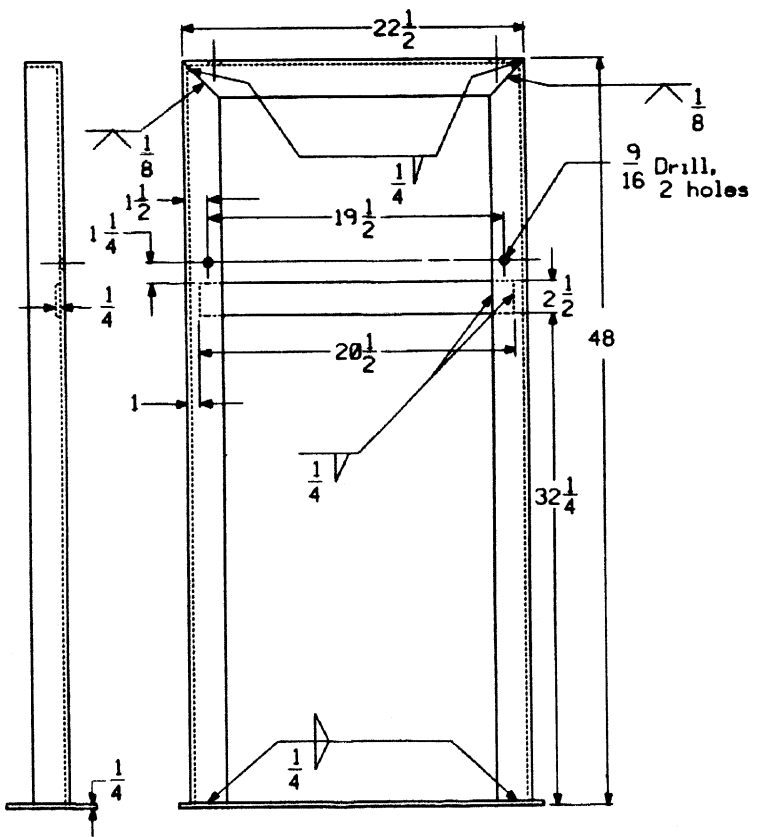
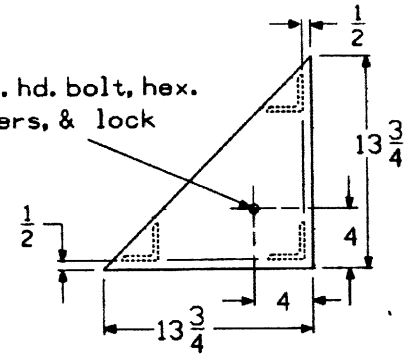


13 Drill, 2 holes for 3/4-10x2 hex. hd. bolt,
16 hex. nut, 2 plain flat washers, & lock washer.

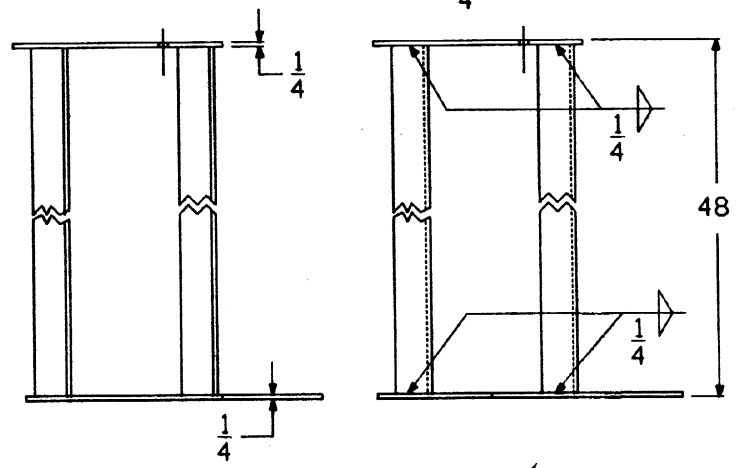


13 Drill for 3/4-10x2 hex. hd. bolt, hex.
16 nut, 2 plain flat washers, & lock washer.



2506-1 CASE PIER

Material- legs and top are 1/4"x2-1/2 x2-1/2 steel angles. Base and cross brace to be 1/4" 1018 steel. To be furnished complete with fasteners specified.



2506-2 HOUSE CORNER PIER

Material- legs are 1/4"x2-1/2x2-1/2 steel angles. Top & base to be 1/4" 1018 steel. To be furnished complete with fasteners specified.

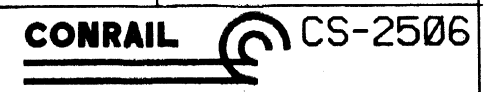
NOTES:

1. Case & house piers to be hot dipped galvanized after fabrication.
2. All fasteners to be galvanized.

ACCOUNT REFERENCE NUMBERS

2506-1 02-322004
2506-2 02-205480

SHEET 1



STANDARD STEEL PIERS & FOUNDATIONS CASE & HOUSE

Approved *R. J. Keck*
Chief Engineer C&S

ISSUE DATE: Sept. 17, 1985

REV	DATE	CKD BY

REV.			SHEET