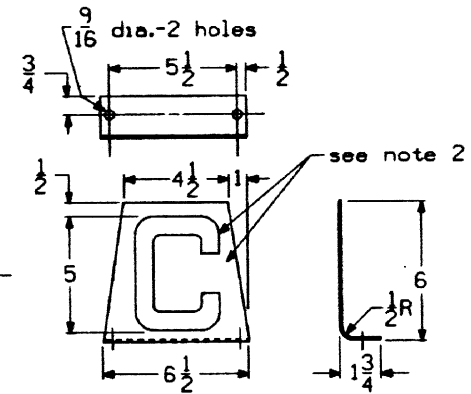
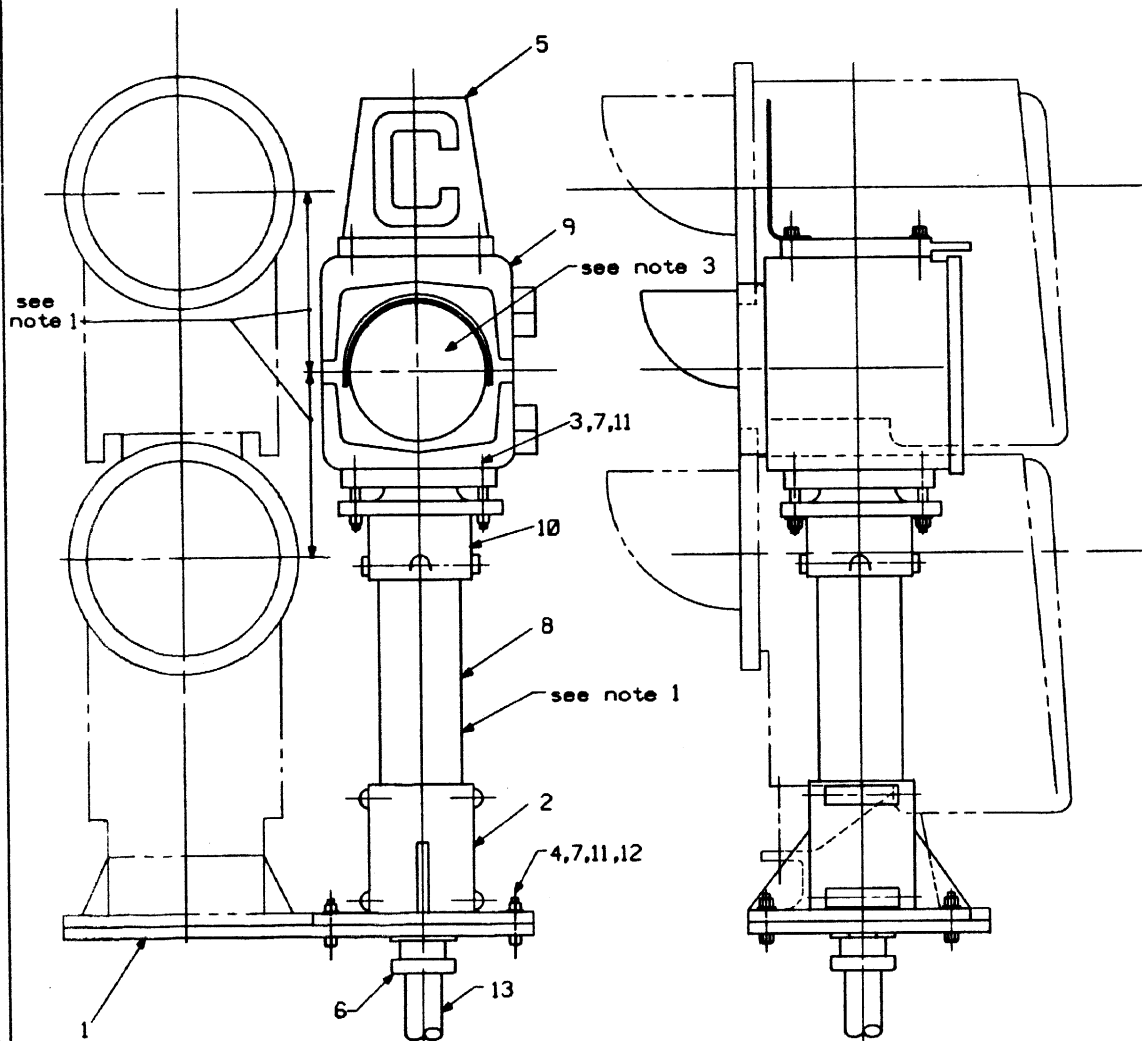
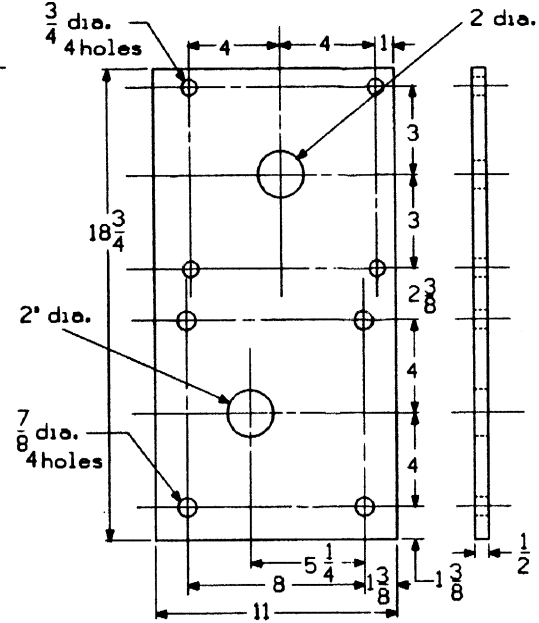


11



**6000-1 LETTER C SIGN**  
Material - 0.081 thick 6061 T-6 Alum.



**6000-10 BASE**  
Material - 1018 steel


| ITEM | NAME                          | REQ | REF     | ACCT NO   |
|------|-------------------------------|-----|---------|-----------|
| 1    | Base ,plate                   | 1   | 6000-10 | 02-036091 |
| 2    | Base ,split                   | 1   |         | 02-038808 |
| 3    | Bolt- 1/2-13x 3 ,sq. hd       | 4   |         | 19-303203 |
| 4    | Bolt -1/2-13x2,hex.hd.        | 4   |         | 19-180403 |
| 5    | C sign                        | 1   | 6000-1  | 02-487286 |
| 6    | Connector,1-1/2' liquid tight | 1   |         | 49-250804 |
| 7    | Nut ,1/2-13, hex. hd.         | 8   |         | 19-426004 |
| 8    | Pipe ,3'dia.x17-1/2' lg.,stl. | 1   |         | 42-622500 |
| 9    | Signal,FA                     | 1   |         | 02-498903 |
| 10   | Socket                        | 1   |         | 02-506325 |
| 11   | Washer ,lock,med.             | 8   |         | 19-788007 |
| 12   | Washer, flat                  | 4   |         | 19-752300 |
| 13   | conduit, liquid tight         |     |         | 49-224458 |

- NOTES:
- Item 8 is 17-1/2' long for old style SA dwarf signal. Item 8 to be shortened to 16-1/2' long for new type SA dwarf signal. Distance between centers of upper & lower lenses on old style is 18' and 16' on new style.
  - Letter proportions to be as shown on MOW st'd. plan 78010. Letter to be white non-reflective scotchcal, front and back to be black non-reflective scotchcal.
  - Lunar white lens.

| REV | DATE | CHK BY |
|-----|------|--------|
|     |      |        |
|     |      |        |
|     |      |        |
|     |      |        |
|     |      |        |
|     |      |        |
|     |      |        |
|     |      |        |
|     |      |        |
|     |      |        |

CBS CAD

SHEET 1

**CONRAIL**  **CS-6000**

STANDARD

**CLEAR TO NEXT INTERLOCKING SIGNAL**  
**ADDITION TO SA DWARF SIGNAL**

Approved R. K. Kach  
Chief Engineer C&S

ISSUE DATE: JUNE 27 1985

|      |       |
|------|-------|
| REV. | SHEET |
|------|-------|