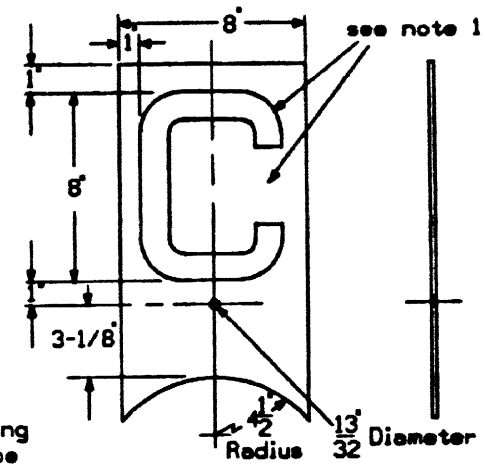
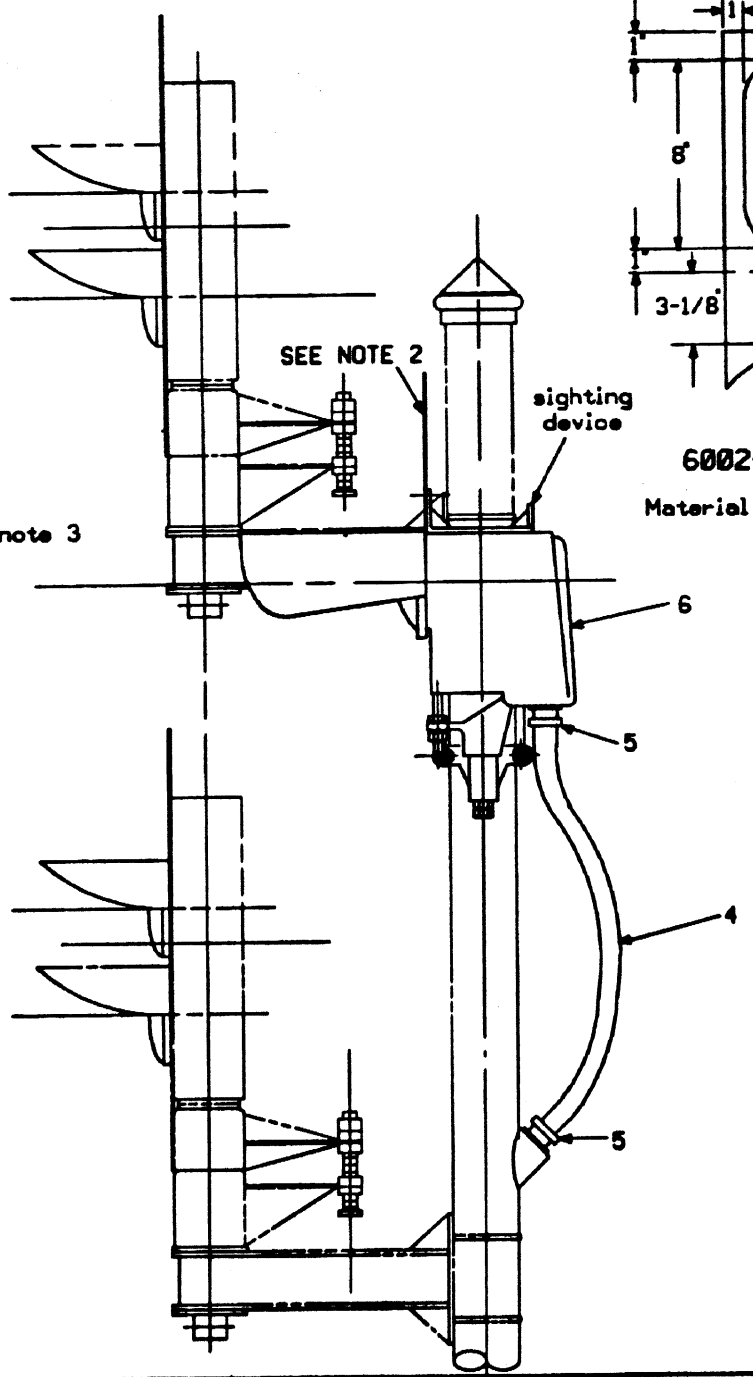
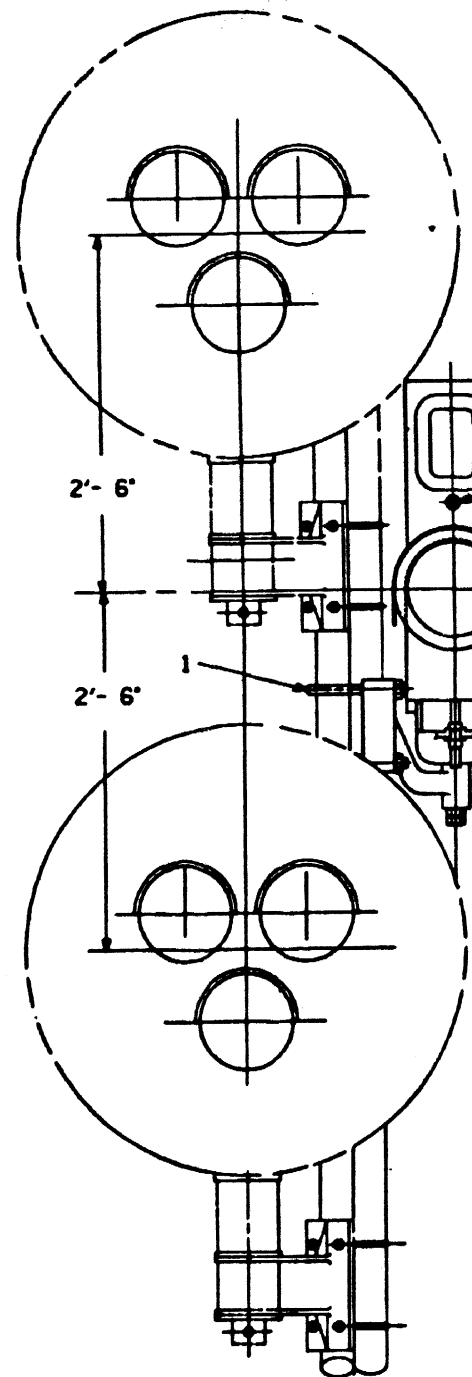


ITEM	NAME	REQ	REF	ACCT NO
1	Bolt, U, 5/8" diameter, complete	2		02-064085
2	Bracket, mast	1		02-080768
3	C-Sign	1	6002-1	02-487336
4	Conduit, 1-1/2" liquid tight	1		49-224458
5	Connector, 1-1/2" liquid tight	2		49-250804
6	'SA' type mechanism	1		02-398105
7	Screw, 3/8" x 1" hex hd	1		43-434263
8	Washer, flat, wide, 3/8" med	1		
9	Washer, lock, 3/8" medium	1		




**6002-1 LETTER C SIGN**  
Material - 0.081" thick 6061 T-6 aluminum

**NOTES:**

1. Letter proportions to be as shown on M/W Standard Plan 78010. Letter to be white non-reflective Scotchlcal, front and back to be black non-reflective Scotchlcal.
2. C-sign, item 3 to be installed on front of sighting device with items 7, 8, & 9.
3. SA signal to have an inoperative mechanism. The red disc to be replaced with a white lunar disc.

SHEET 1

**CONRAIL**  **CS-6002**

STANDARD

**CLEAR TO NEXT INTERLOCKING SIGNAL  
ADDITION TO COLOR LIGHT SIGNAL**

Approved *[Signature]* Chief Engineer C&S      *[Signature]* Chief Engineering Officer

ISSUE DATE: Oct. 16, 1966

REV.	SHEET
------	-------