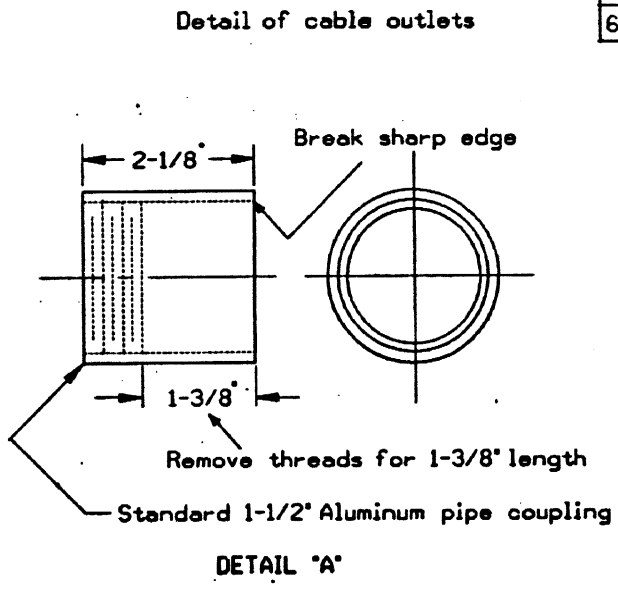
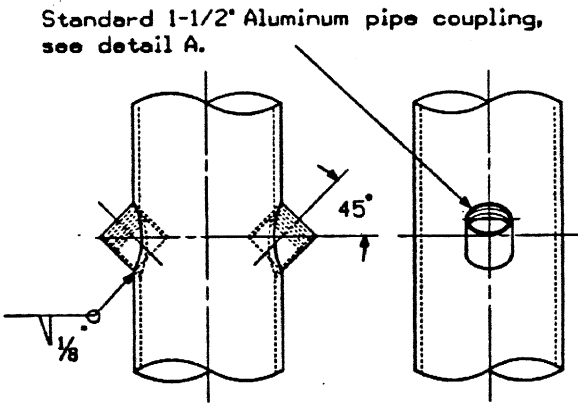


TABLE FOR ORDERING SIGNAL MASTS

MAST NUMBER	MAST LENGTH	INSTALL OUTLETS MARKED	ACCOUNT REFERENCE NUMBER	SINGLE FACED SIGNAL	BACK TO BACK SIGNAL	TOTAL NUMBER SIGNAL UNITS
6025-5	22'-0"	A,C,&E	02-294609	X		3
6025-6	22'-0"	A,B,C,D,E,F	02-294625		X	6
6025-7	22'-0"	A,B,C,D,E	02-294641		X	5
6025-8	22'-0"	A,B,C,E	02-294666		X	4
6025-12	17'-0"	A	02-294682	X		1
6025-13	17'-0"	A,&C	02-294708	X		2
6025-14	17'-0"	A,&B	02-294724		X	2
6025-15	17'-0"	A,B,&C	02-294740		X	3
6025-16	17'-0"	A,B,C,&D	02-294765		X	4



NOTES:

1. Fabricate masts from 6061-T6 aluminum alloy 5' diameter pipe, schedule 80 (3/8" wall).
2. Heating or welding any portion on masts during manufacture, erection, or maintenance is NOT permitted, except at pipe couplings.
3. When ordering, select from the table above. Select required number of cable outlets in single faced or back to back arrangement.
4. All cable outlets shall have 1-1/2" aluminum plugs installed.
5. Outlet G will be required in application of Standard plan CS-6002, "CLEAR TO NEXT INTER-LOCKING SIGNAL", (order 02 special, mast number plus outlet "G").

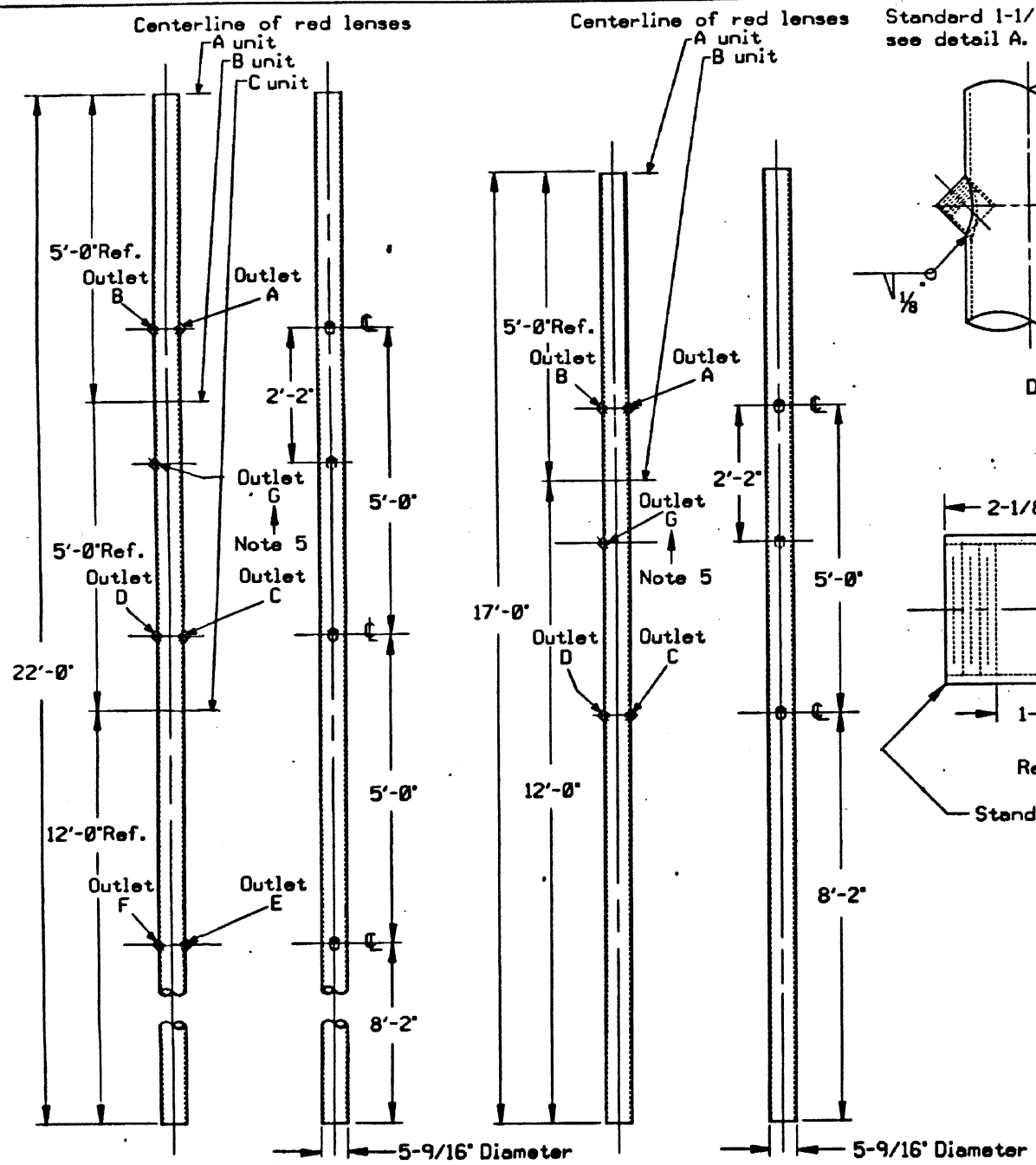
SHEET 1

CONRAIL CS-6025A

STANDARD SIGNAL MASTS FOR COLOR LIGHT SIGNALS

Approved *[Signature]* Chief Engineer C&S *[Signature]* Chief Engineering Officer

ISSUE DATE: May 20, 1981
REV. Nov. 17, 1986



MAST
Order from table - see note 3

MAST
Order from table - see note 3

TE	CD