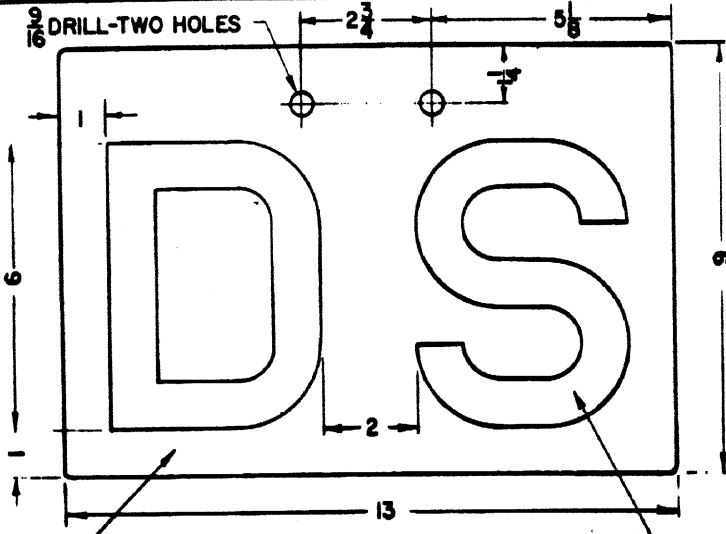
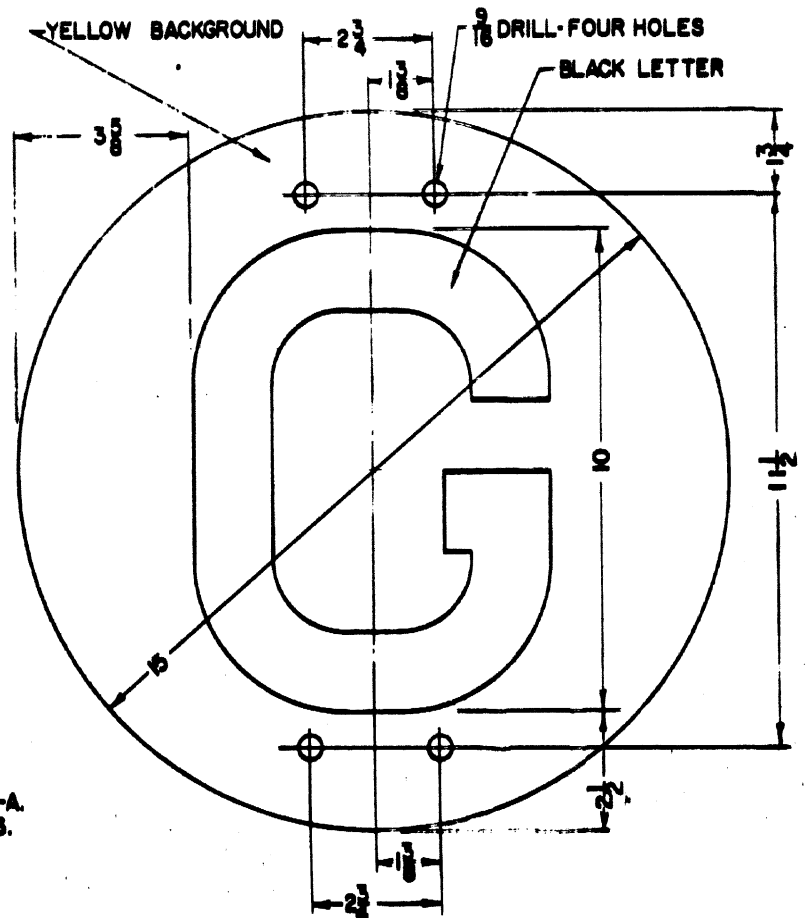


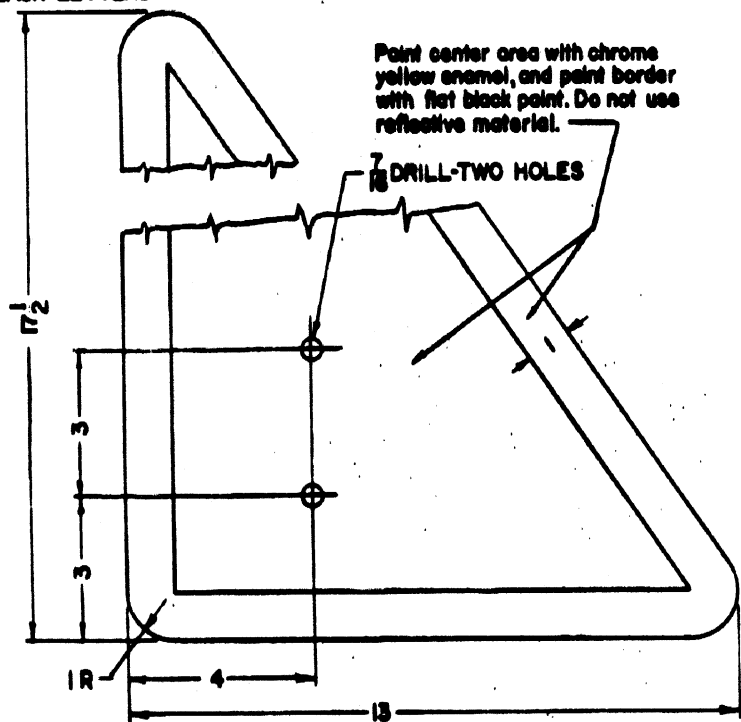
SIGN-SLIDE PROTECTION 7000-1
BLACK LETTERS WHITE BACKGROUND



SIGN-DISTANT SWITCH 7000-3
BLACK LETTERS



MARKER-GRADE SIGNAL 7000-7
Use with brackets 7000-25, 26, 39, 40-45



MARKER-SPEED LIMIT 7000-5

Point center area with chrome yellow enamel, and paint border with flat black paint. Do not use reflective material.

NOTES:

1. Signs and markers shown to be made from 6061-T6 aluminum alloy plate 0.081" thick.
2. Except as noted, signs to be faced with Scotchlite or equal reflective material bonded to aluminum alloy plate. Colors to be as specified.
3. Signs are to be single faced except as noted.
4. Proportions of letters to be in accordance with standard plan 78010-A.
5. Brackets for mounting signs and markers shown on sheets 2, 4, 5, & 6.
6. Ordering reference information shown on sheet
7. Bolts, nuts, and washers listed on plans must be cadmium plated.
8. For typical assemblies, see sheets 7 & 8.
9. End of crossing circuit sign 7000-33 will be installed only when required by governmental order.

SHEET 1
CONT'D ON SH 2

CONRAIL  **CS-7000**

STANDARD
SIGNS AND MARKERS
SLIDE PROTECTION SIGN, DISTANT
SWITCH SIGN, GRADE MARKER,
AND SPEED LIMIT MARKER

Approved *[Signature]*
Chief Engineer CS

OCT. 28, 1978