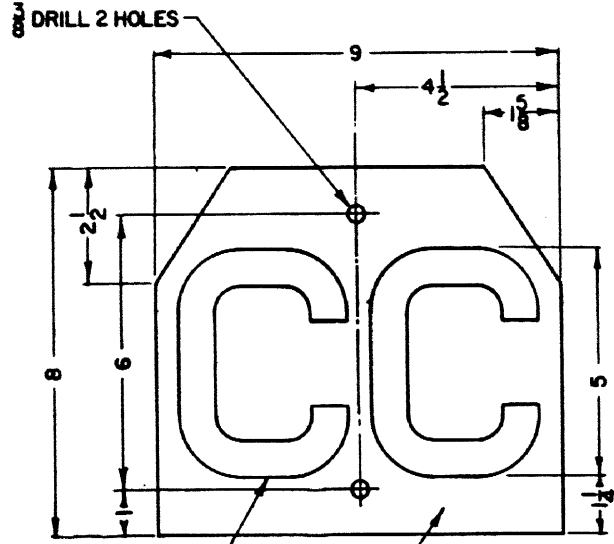
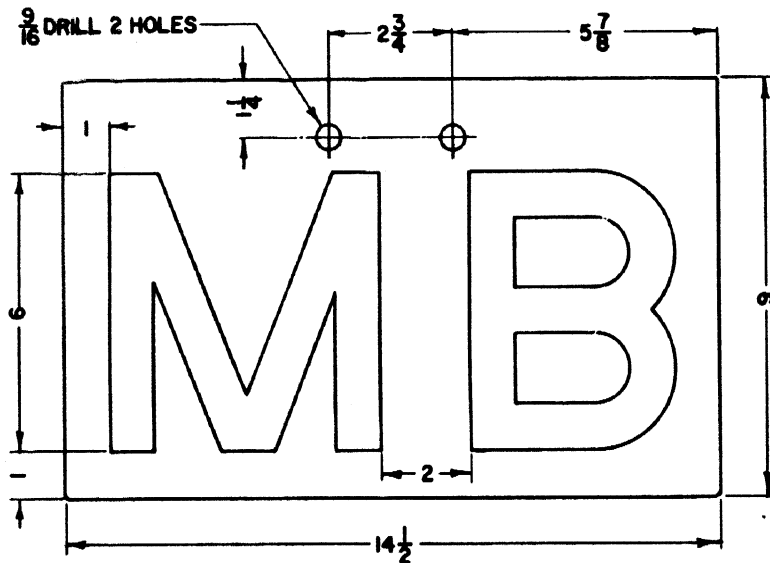


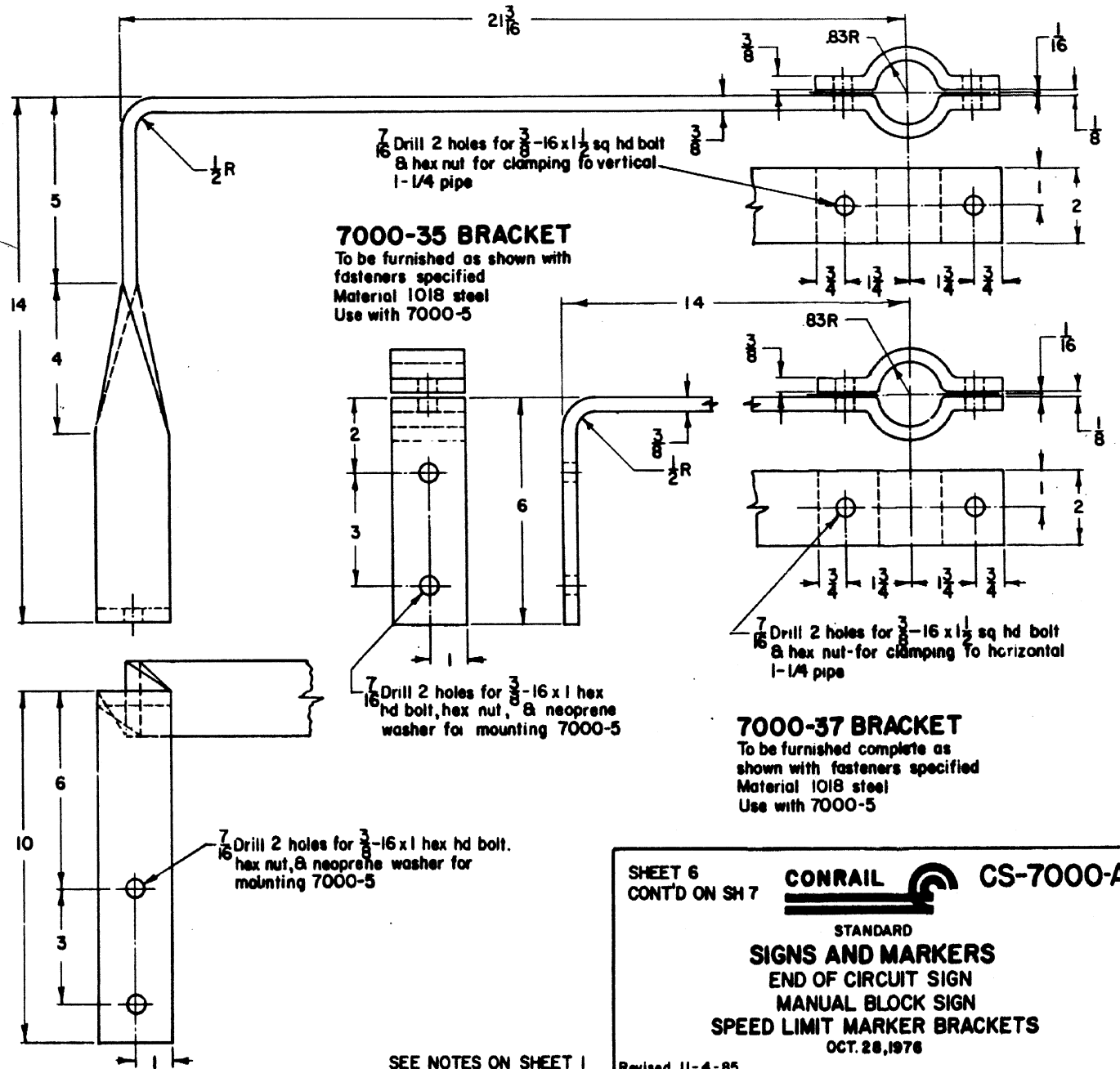
Rev. A, 11-4-85-added
14" dimension to item
7000-37.



BLACK LETTER SILVER BACKGROUND
7000-33 SIGN-END OF CIRCUIT
 See note 9 for use of this sign




7000-31 SIGN-MANUAL BLOCK



SEE NOTES ON SHEET 1

SHEET 6
 CONT'D ON SH 7

CONRAIL  **CS-7000-A**

STANDARD
SIGNS AND MARKERS
 END OF CIRCUIT SIGN
 MANUAL BLOCK SIGN
 SPEED LIMIT MARKER BRACKETS
 OCT. 28, 1978

Revised 11-4-85