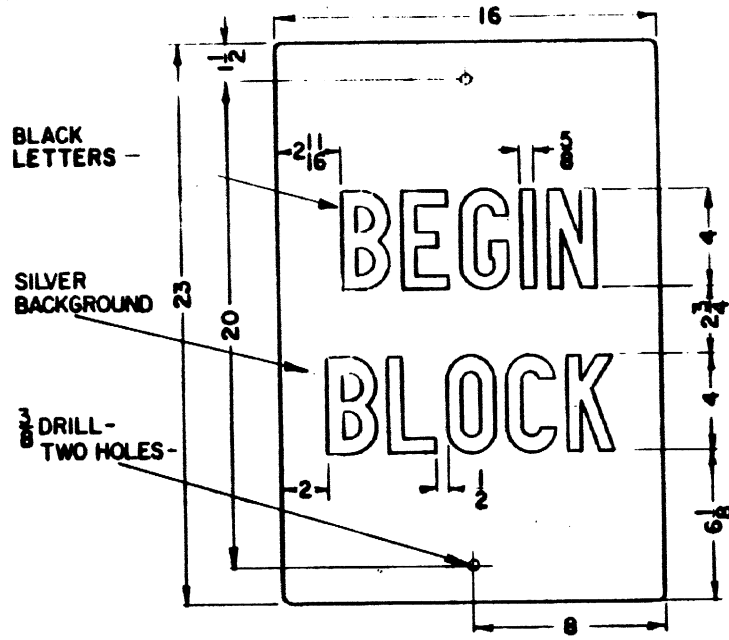
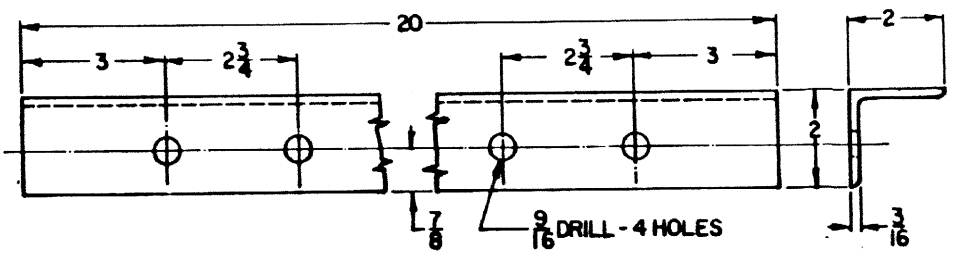


MARKER 7000-8-RED BACKGROUND
 MARKER 7000-9-YELLOW BACKGROUND
 MARKER 7000-10-BLUE BACKGROUND

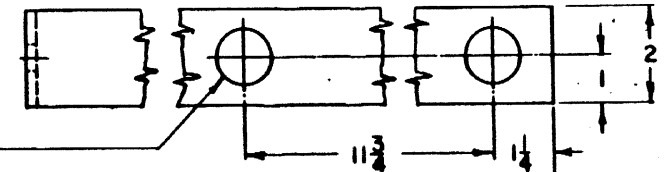


SIGN 7000-11



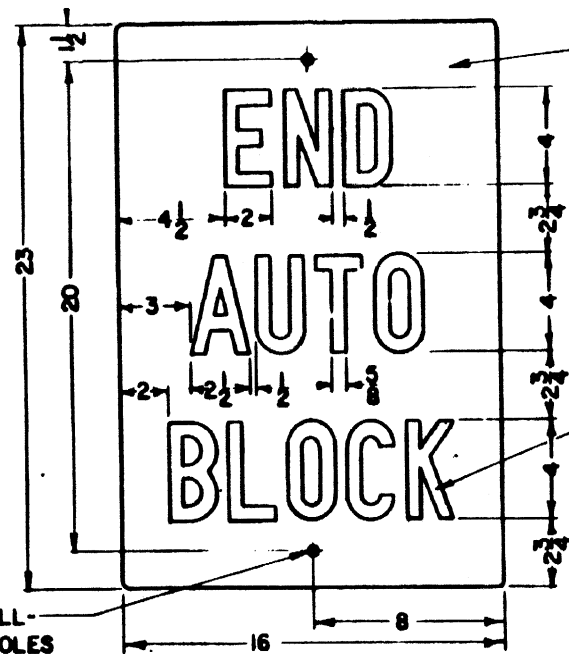
BRACKET-7000-36

Material-aluminum alloy angle 6061 T6, for use with bracket 7000-25 to support markers 7000-8 7000-9

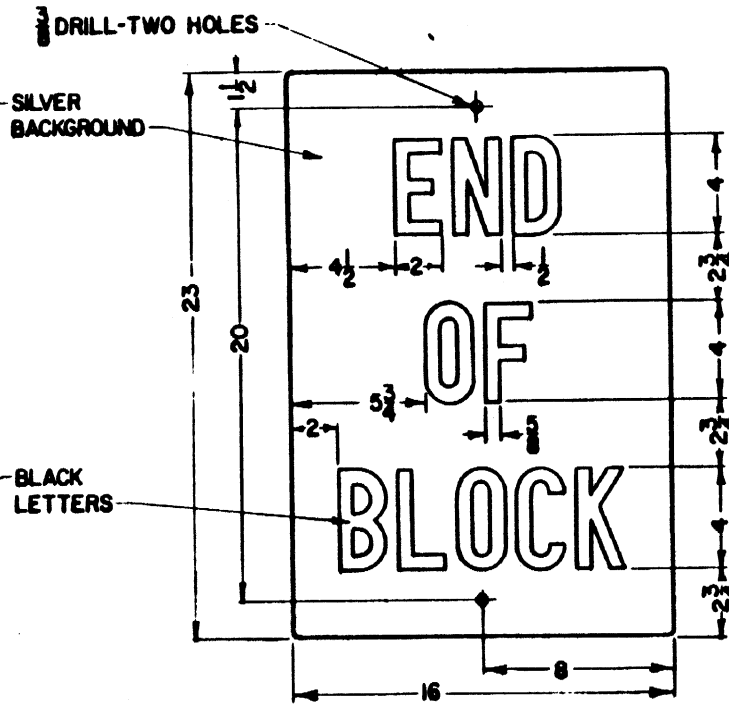


BRACKET 7000-39

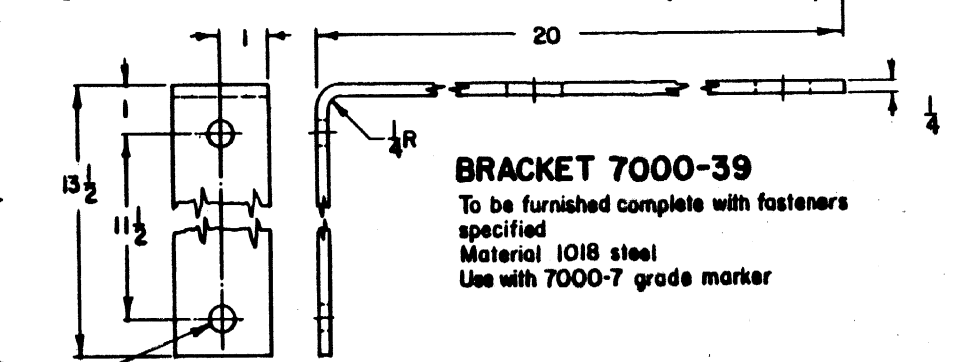
To be furnished complete with fasteners specified
 Material 1018 steel
 Use with 7000-7 grade marker



SIGN 7000-17



SIGN 7000-19



SEE NOTES ON SHEET 1

SHEET 2
 CONT'D ON SH 3

CONRAIL CS-7000-B

STANDARD

SIGNS AND MARKERS
 DUMMY MAST MARKER, BEGIN BLOCK, END OF BLOCK, END OF AUTO BLOCK, AND STOP SIGNS

OCT. 28, 1976