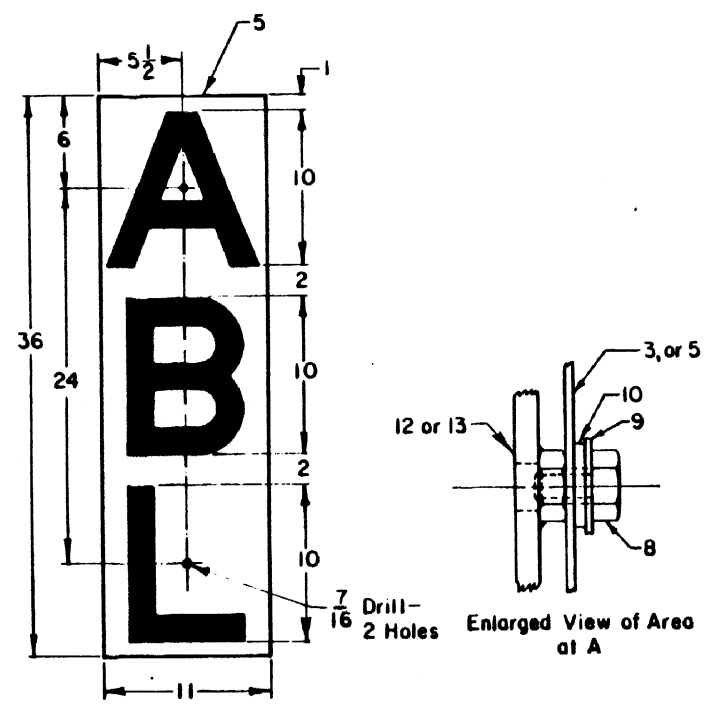
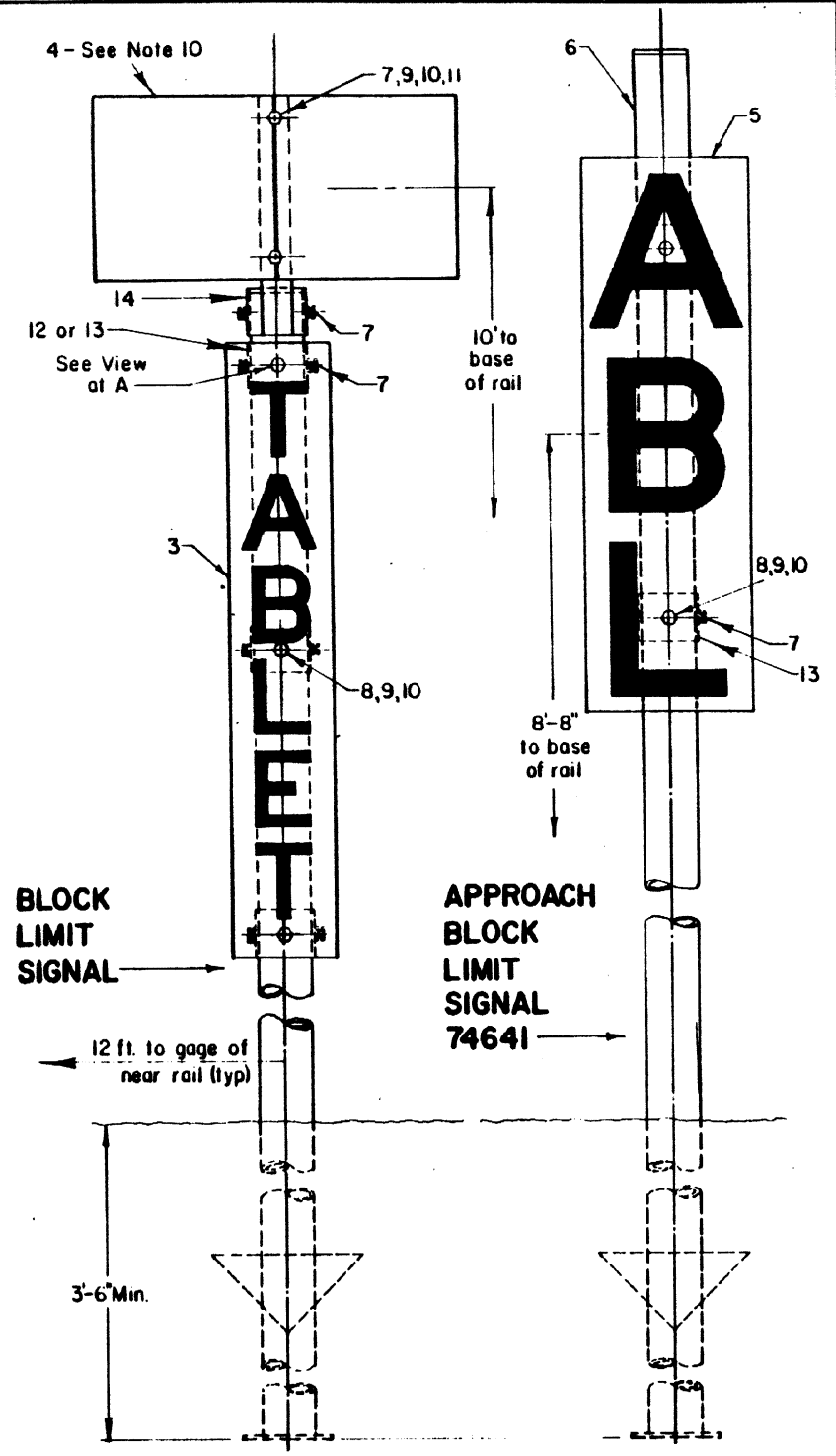


SIGN PLATE 74643



APPROACH BLOCK LIMIT SIGN 74644

Face entire plate with No. 2271 yellow engineering grade reflective mat. Letters to be No. 605 black.



BLOCK LIMIT SIGNAL

APPROACH BLOCK LIMIT SIGNAL 74641

ITEM	DESCRIPTION	REFERENCE				REQUIRED	
		COPY/PLATED	BLOCK SIGNED	LIMIT SIGNED	SIGNAL SIGNED	APPROACH BLOCK LIMIT SIGNAL	APPROACH BLOCK LIMIT SIGNAL REFERENCE NUMBER
1							
2	APPROACH BLOCK LIMIT SIGNAL COMPLETE	74641					
3	STATION SIGN	74642	2	1			
4	SIGN PLATE	74643	2	1			02-487245
5	APPROACH BLOCK LIMIT SIGN	74644			1		02-491254
6	POST	74645	1	1	1		02-372405
7	BOLT, 3/8-16X1-1/4 LG-HEX HD-CAD PLT		10	10	4		
8	BOLT, 3/8-16X5/8 LG-HEX HD-CAD PLT		6	3	2		
9	WASHER, 3/8 PLAIN-CADMIUM PLATED		10	7	2		
10	WASHER, NEOPRENE	7000-50	10	7	2		19-797172
11	NUT, HEX-3/8-16-CADMIUM PLATED		2	2			19-416005
12	COLLAR, SEE SHEET 2	74647	3				
13	COLLAR, SEE SHEET 2	74648		3	2		
14	COLLAR, SEE SHEET 2	74649	1	1			

NOTES:

- Signs and plates to be made from 6061-T6 aluminum alloy plate 0.081" thick.
- Signs to be faced with Scotchlite or equal reflective material bonded to aluminum alloy plate. Colors to be as specified.
- Signs are to be single faced.
- Proportions of letters to be in accordance with standard plan 78010-A.
- Bolts, nuts, and washers must be cadmium plated.
- Order station signs with appropriate timetable name.
- Approach block limit signal may be attached to building, or other structure to suit local conditions.
- Paint post with black paint.
- When installing post, coat all underground parts with no-oxide grease or equal.
- Mount item 4, signal plate with yellow end adjacent to track governed.

SHEET 1
CONT'D ON SH 2

CONRAIL

CS-7464-C

STANDARD
**BLOCK LIMIT AND APPROACH
BLOCK LIMIT SIGNALS**

APR. 2, 1982

Approved *H. Alexander*
Chief Engineer C&S