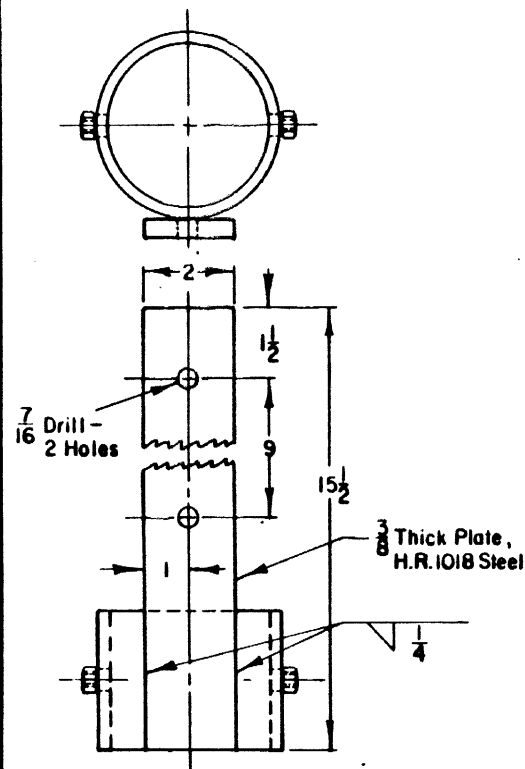
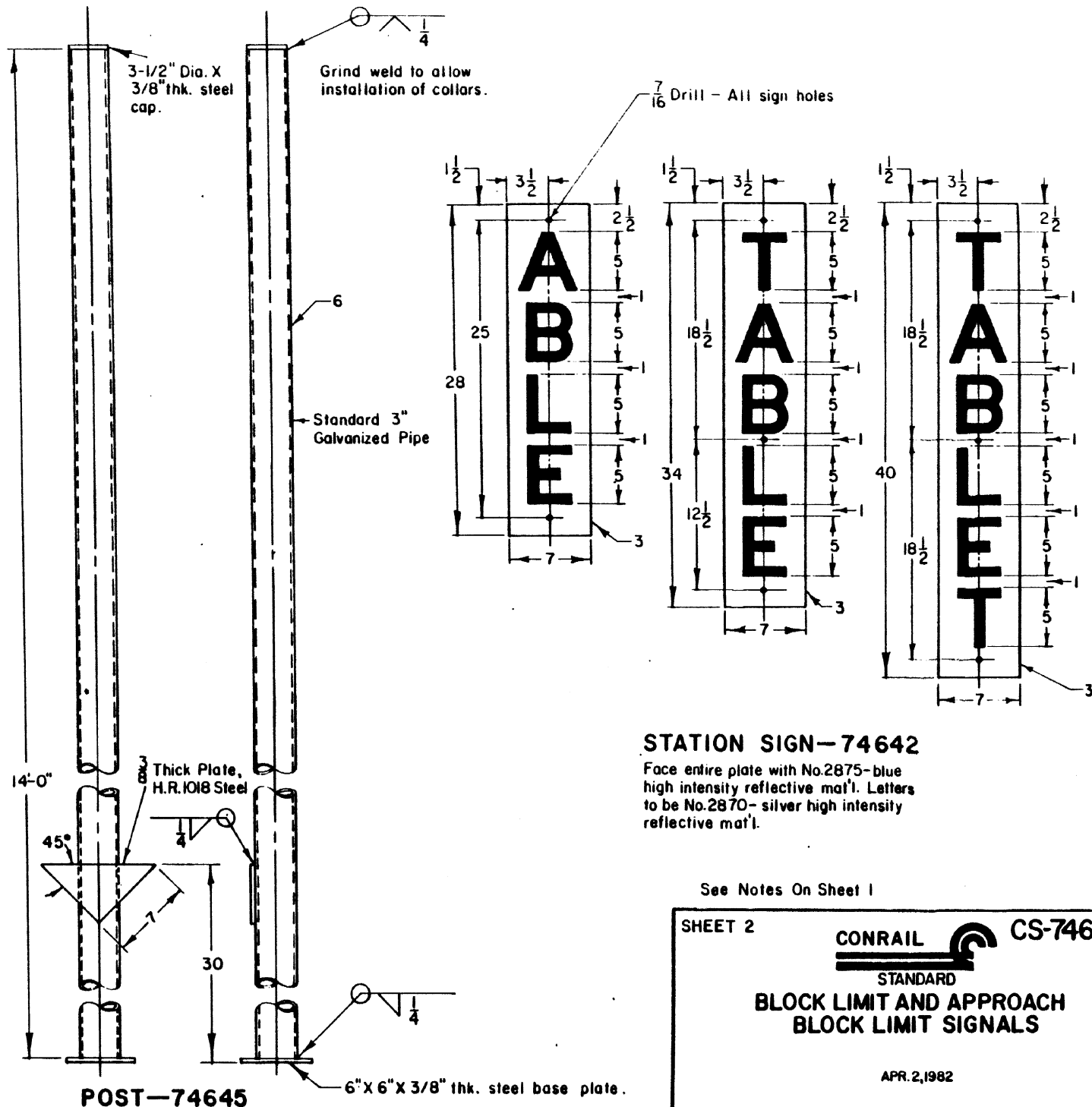


COLLAR

TABLE FOR COLLARS		
Item	Ref.	Drill holes & weld nuts at locations:
12	74647	A, B, C, & D
13	74648	A, B, & C
14	74649	A & C



COLLAR-74649



POST-74645

STATION SIGN-74642

Face entire plate with No.2875-blue high intensity reflective mat'l. Letters to be No.2870-silver high intensity reflective mat'l.

See Notes On Sheet 1

SHEET 2

CONRAIL

CS-7464-C

STANDARD
BLOCK LIMIT AND APPROACH
BLOCK LIMIT SIGNALS

APR. 2, 1982