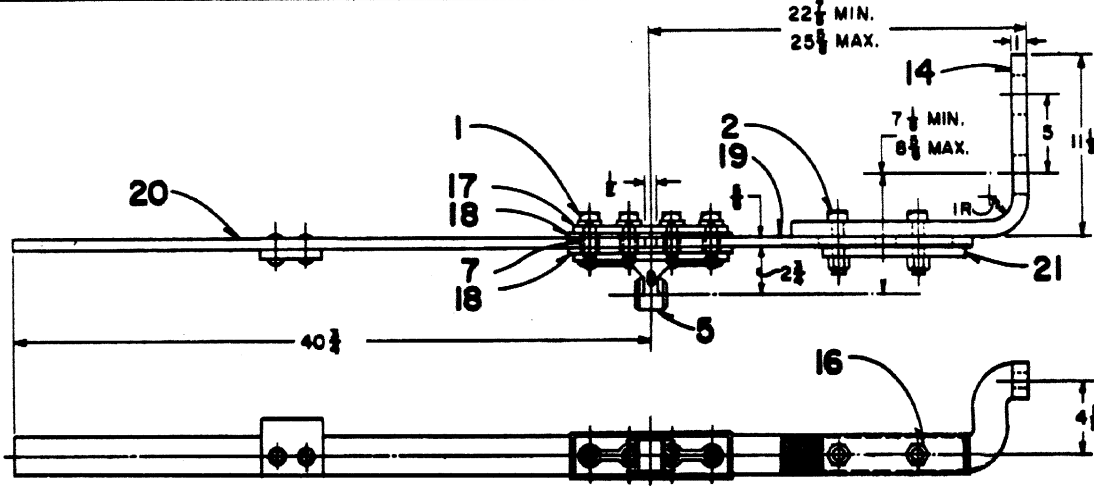


SCALE A

800I-51, FRONT ROD, ADJUSTABLE-L. H. DERAIL

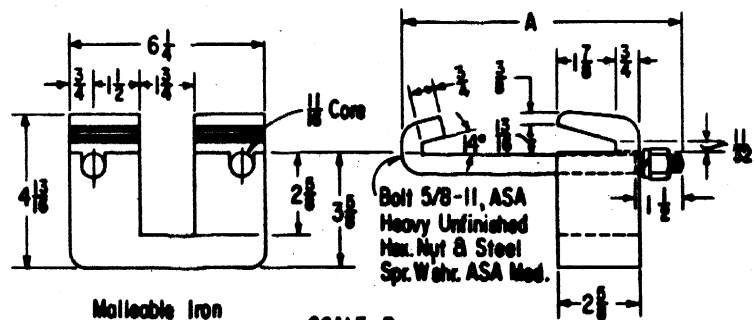
APPLIES TO $\frac{119}{40}$ LB. RAIL. FOR 105 LB. RAIL SPECIFY BUSHINGS, ITEM 8.



SCALE A

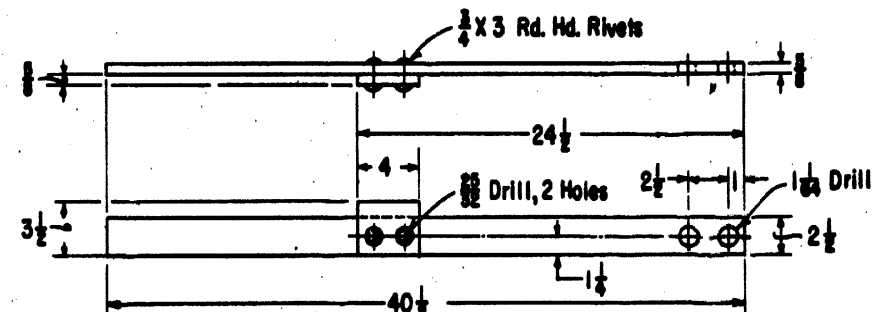
800I-53, FRONT ROD, ADJUSTABLE-R. H. DERAIL

APPLIES TO $\frac{119}{40}$ LB. RAIL. FOR 105 LB. RAIL SPECIFY BUSHINGS, ITEM 8.



SCALE B

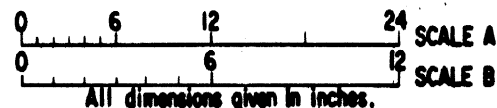
800I-35, GUIDE COMPL., $\frac{119}{40}$ lb. rail A = 9
800I-36, GUIDE COMPL., 105 lb. rail A = 8



SCALE A

800I-59, FRONT ROD, -STRAIGHT END

SEE SHEET 1 FOR MATERIAL LIST AND GENERAL NOTES.



SHEET 2 CONT'D ON SH 3 **CONRAIL** CS-800I

STANDARD SWITCH RODS
 FRONT RODS FOR SPLIT POINT DERAILS
 OPERATED BY GRS SWITCH MACHINES
 105, 119, 127, & 140 LB. RAIL
 AUG. 6, 1976