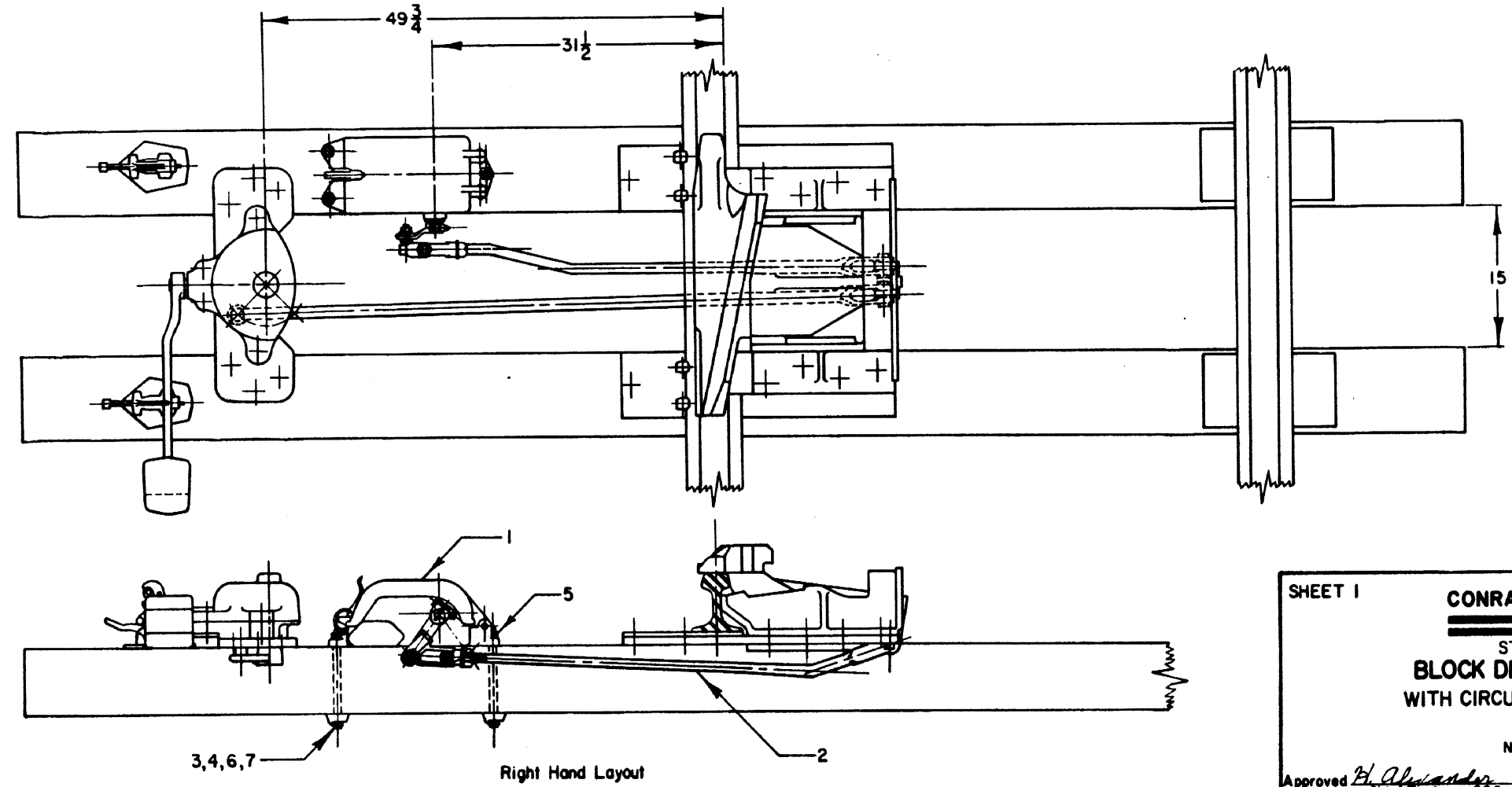



NO	ITEM	REQ	REF	ACCT NO
1	CIRCUIT CONTROLLER	1		
2	CIRCUIT CONTROLLER ROD	1	8005-10	02-450623
3	NUT, SQ 3/4-10NC	3		19-514601
4	BOLT, STUD 3/4-10NCX10 LG	3		COMM. STD.
5	NUT, HEX 3/4-10NC	3		19-443603
6	WASHER, LOCK- 3/4 MEDIUM	6		19-791209
7	WASHER, CAST IRON	3	82161	02-611257

NOTES:

1. Material not shown to be ordered by Maintenance of Way Department.
2. See MOW Standard Plan 73920 for additional details.



SHEET 1

**CONRAIL**  **CS-8012-A**

STANDARD  
**BLOCK DERAIL LAYOUT**  
 WITH CIRCUIT CONTROLLER

NOV. 4, 1982

Approved *B. Alexander*  
 Chief Engineer CBS