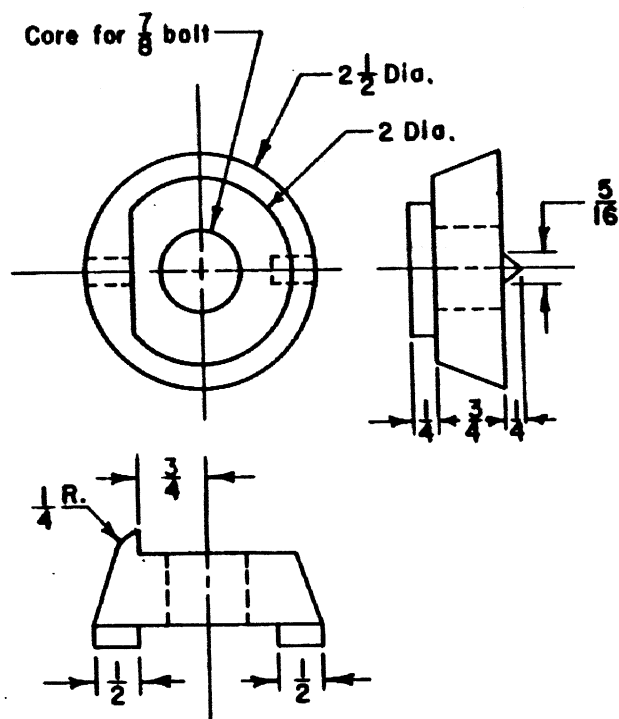
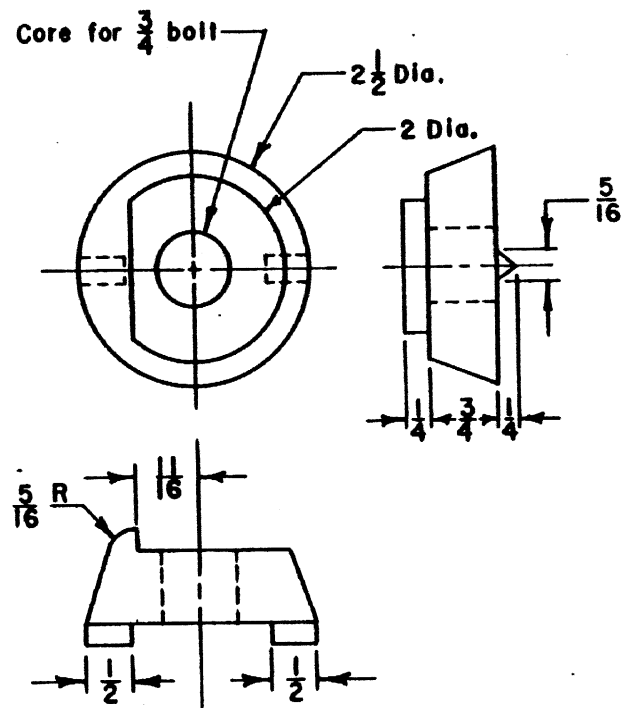


ACCOUNT  
REFERENCE  
NUMBERS

82161 02-611257  
82162 02-61505



**WASHER 82162**  
MATERIAL CAST IRON



**WASHER 82161**  
MATERIAL CAST IRON

SHEET 1

CONRAIL  CS-8216  
STANDARD  
CAST IRON WASHERS

MAY 12, 1982

APPROVED *H. Alexander*  
CHIEF ENGINEER CAS