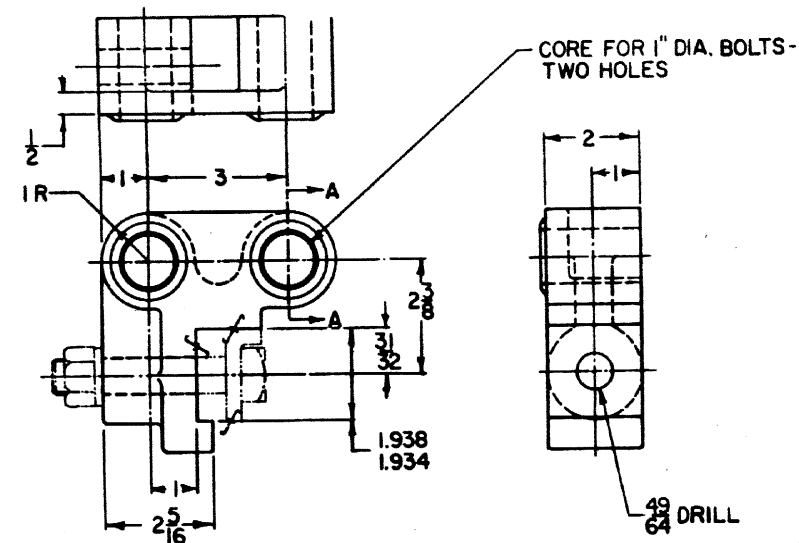
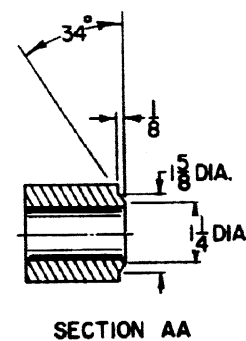
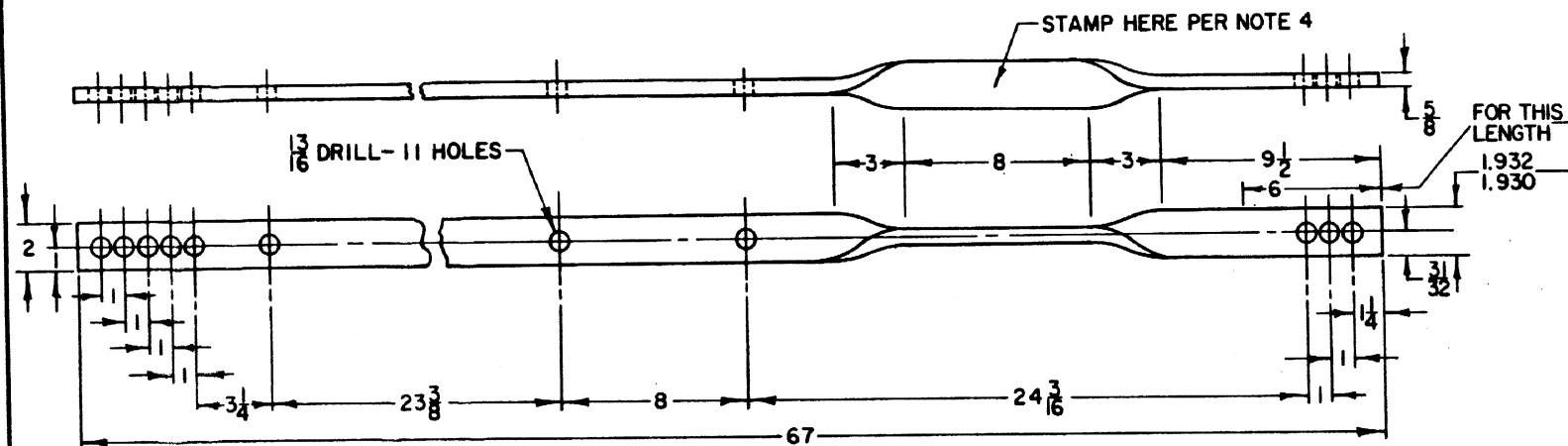


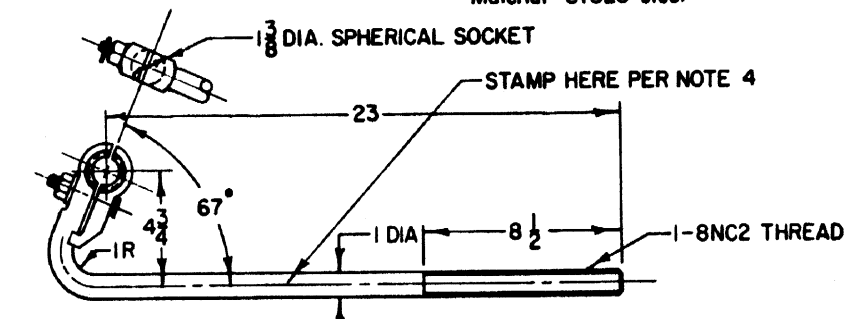
POINT DETECTOR CONNECTING ROD 832127
Material-1045 steel



LOCK ROD LUG 83218
Material-malleable iron



FRONT ROD BAR 832113
Material-C1020 steel



POINT DETECTOR CONNECTING ROD 832128
Material-1045 steel

ACCOUNT REFERENCE NUMBERS

83218	02-290508	832118	02-203600
83219	02-291258	832119	02-203618
		832120	02-356309
		832121	02-251310
		832122	02-251328
		832123	02-251336
832110	02-033106	832126	02-033304
		832127	02-450359
832113	02-033262	832128	02-449500
832115	02-450300	832129	02-290904
		832130	02-558300
		832131	02-558003
		832132	02-558102

SHEET 2
CONT'D ON SH 3

CONRAIL  **CS-8321-B**

STANDARD
FRONT ROD PARTS
FOR USE WITH US&S SWITCH MACHINES
119,132, & 140 LB. RAIL

APR. 10, 1980

SEE NOTES ON SHEET 1