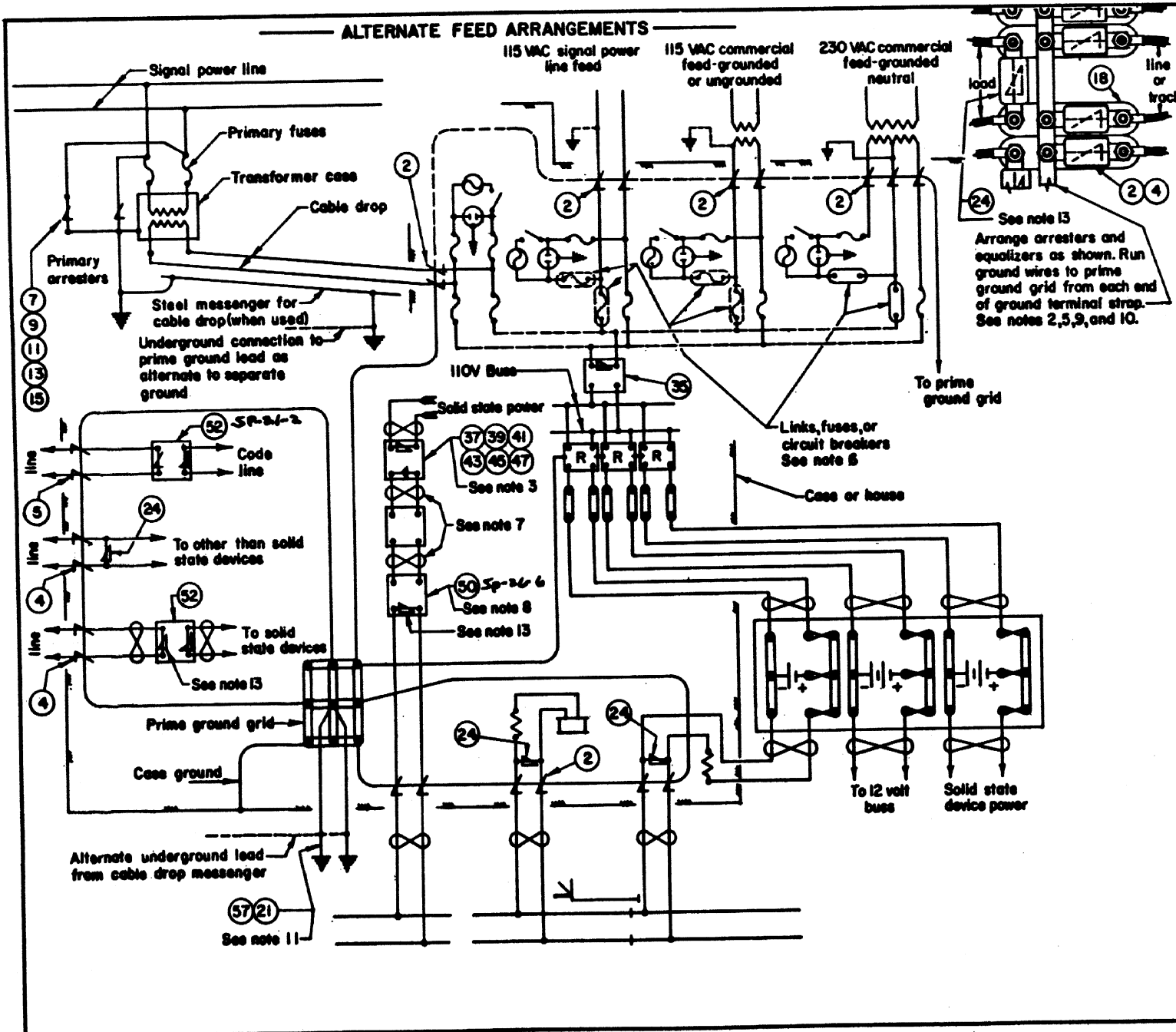


ALTERNATE FEED ARRANGEMENTS



NOTES

1. Arresters and protectors other than those specified are not to be used without approval of the Chief Engineer C.S.
2. All ground wire leads to be as short and straight as possible, with no short bends. Wire size not to be smaller than No.10 AWG.
3. Select protector reference Nos. 37, 39, 41, 43, 45 and 47 to suit voltage and load requirements of circuit.
4. Resistance of earth grounds to be the lowest obtainable, not exceeding 5 ohms wherever solid state equipment is used.
5. Clearview arresters are to be mounted in self-cleaning position, that is, with the pointed elements projecting upward, when mounted horizontally.
6. Where local electric service is provided with a grounded 115VAC or 230VAC supply, or signal power line is a 115VAC grounded supply, use a solid link in place of fuse or circuit breaker in grounded leg of the supply circuit.
7. Where solid state units and connected protector units are located more than one foot apart, the connecting leads must be twisted and cabled separately from other wires.
8. When the solid state device to be protected is either a GRS FSO unit, or a Safetron unit equipped with an internal protector, omit item 50.
9. Arrange arresters in groups not exceeding eight arresters. Run ground wires from ground straps at each end of arresster groups to prime ground grid.
10. Track circuit arresters and line circuit arresters are to be arranged in separate groups. Use item 2, heavy duty arresster for track circuit leads, item 4, clear view arresters for line circuits, and item 5, clear comm arresters for code line.
11. Prime ground grid shall be connected to at least two ground rods with No. 6 AWG copper wire. Ground rods to be located at opposite ends of case or house.
12. Symbol ∞ shown across a pair of wires indicates that the pair must be twisted at the rate of one turn per foot.
13. Where an equalizer is mounted externally across terminals of a protector, an additional equalizer is not required in that circuit across arresster terminals.

SHEET 1
 CONT'D ON SH 2

CONRAIL

CS-9001-A

STANDARD
**TYPICAL LIGHTNING ARRESTER
 APPLICATIONS**

JUN. 29, 1978

App'd *[Signature]*
 Chief Engineer C.S.