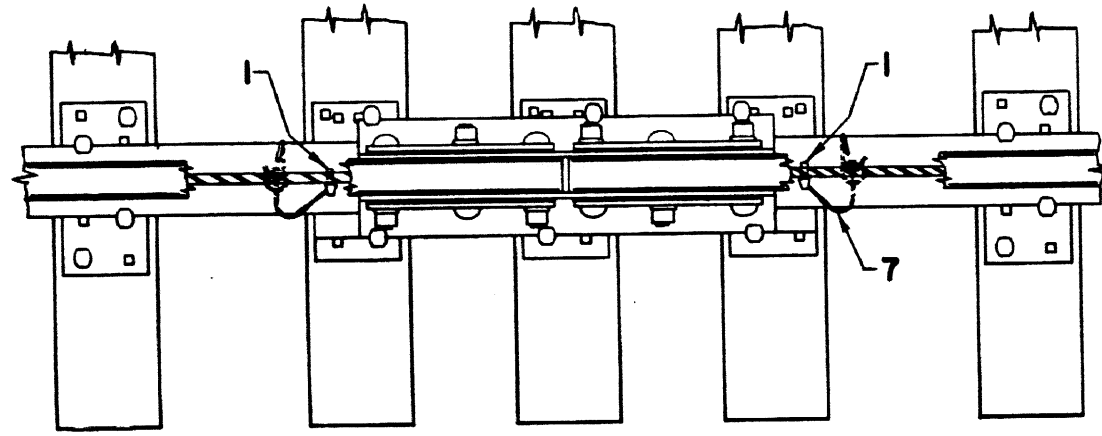


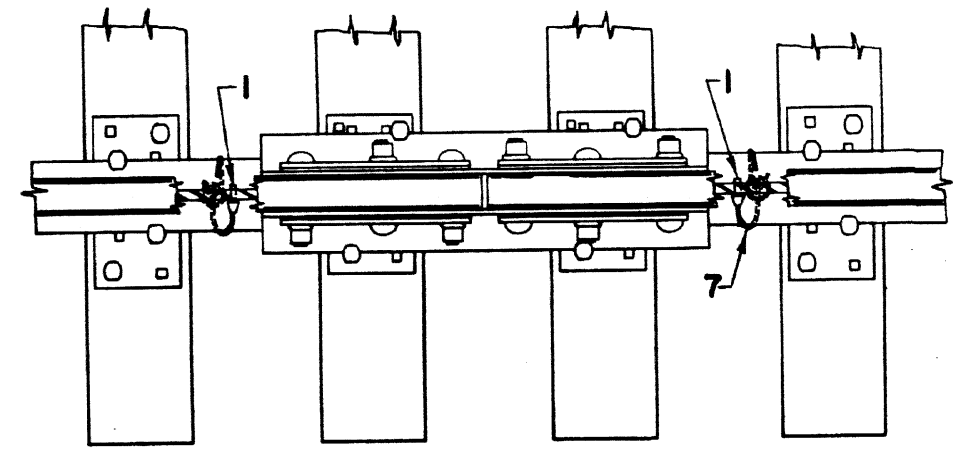
Rev. A-3-3-82: changed from strap to plug type connector, added details of plug type connector, changed acct. no. of item

Rev. B-1-18-83: added tension clips

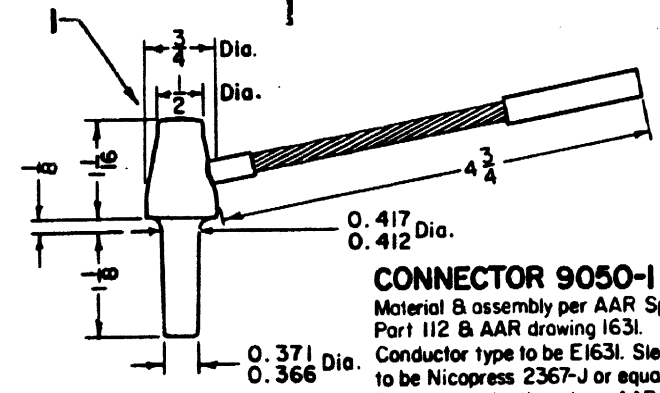
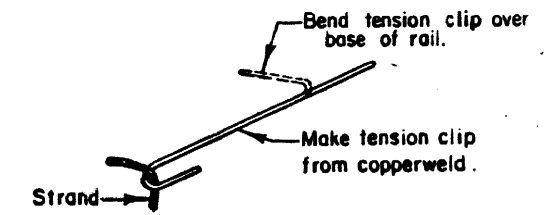
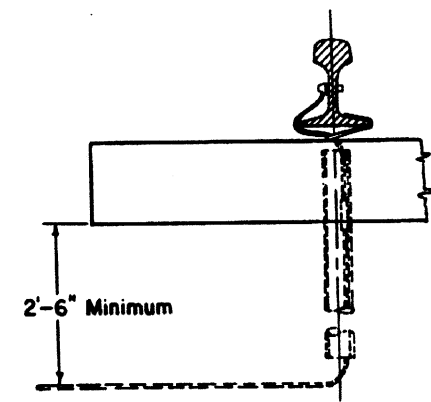
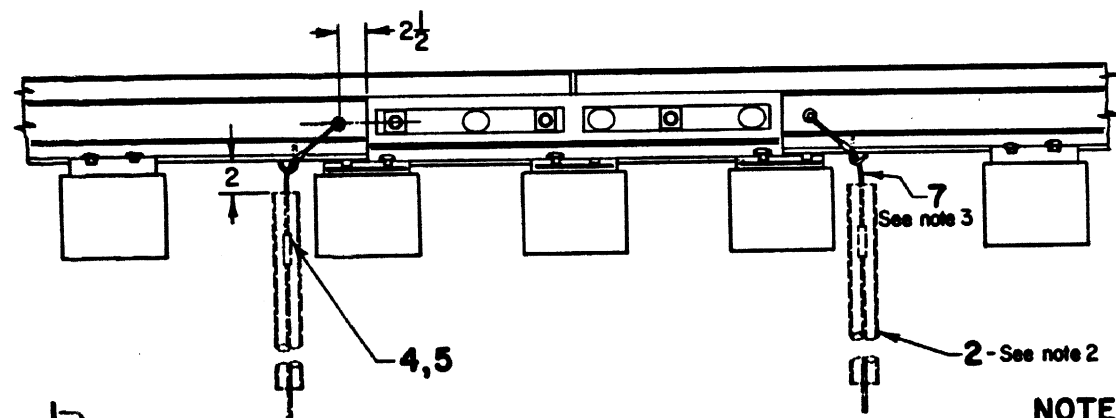
Rev. C-1-23-85: added sheet 2 & note 3.



SUPPORTED JOINT



SUSPENDED JOINT



CONNECTOR 9050-1
 Material & assembly per AAR Spec. Part 112 & AAR drawing 1631.
 Conductor type to be E1631. Sleeve to be Nicopress 2367-J or equal.
 Connector to be tinned per AAR Spec. Part 112.

NOTES:

1. Track circuit connections shown on this plan are typical for all types of track circuits where standard insulated joints, glued insulated joints, or no insulated are involved, except in third rail territory.
2. Whenever possible, use second-hand air brake hose for item 2 instead of using new hose. Minimum length required is 22'.
3. Applies only to installation of series overlay track circuit used with D.E.D.

ITEM	NAME	REF.	REQ.	ACCT. NO.
1	CONNECTOR		4	02-150603
2	HOSE, 2" COLD WATER		4	46-431957
3				
4	SLEEVE-#6 TO STRAND		4	02-842100
5	SLEEVE-#9 TO STRAND			02-842126
6				
7	STRAND			02-555856

SHEET 1
 CONT'D ON SH2 CONRAIL  CS-9050-C

STANDARD
TYPICAL TRACK CIRCUIT CONNECTIONS
 FOR USE IN ALL AREAS
 EXCEPT THIRD RAIL TERRITORIES

NOV. 29, 1976

Approved *D. Alexander*
 Chief Engineer C&S