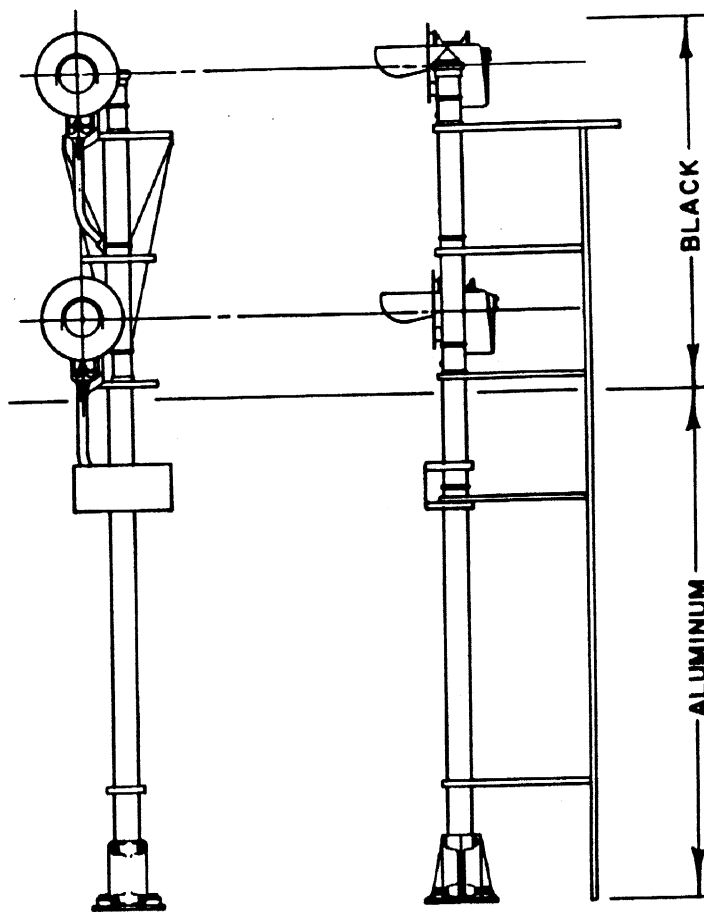
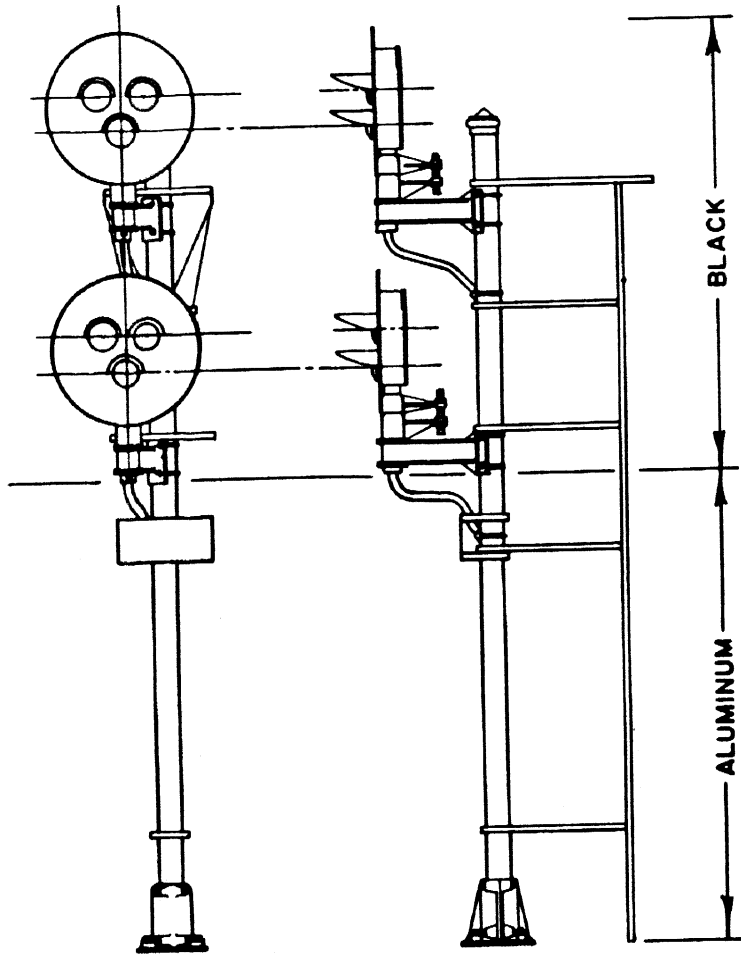
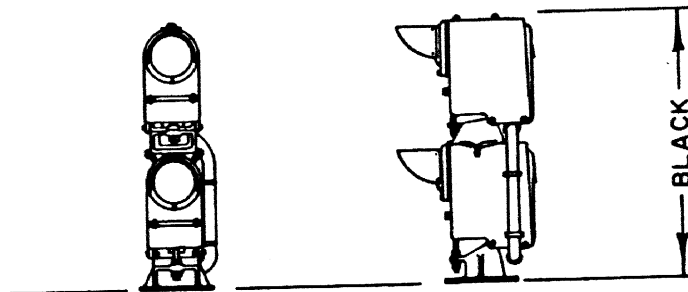
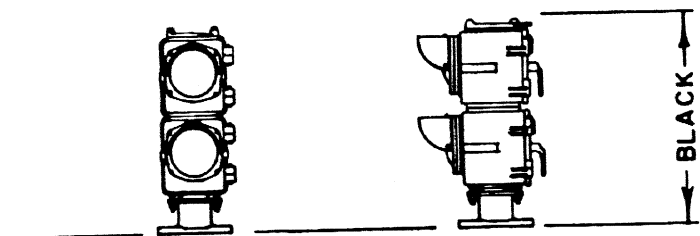


NOTES:

1. Black Paint Account Reference 47-299203.
2. Aluminum Paint - 1 Gallon Container, Account Reference 47-160363.
3. Aluminum Paint - 5 Gallon Container, Account Reference 47-160389.



SHEET 1
CONT'D ON SH 2

CONRAIL  CS-9505

STANDARD
SIGNAL PAINTING
COLOR LIGHT TYPE

JAN 7, 1982

Approved 
Chief Engineer C&S