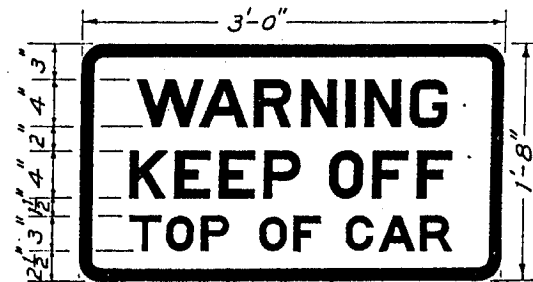


Issue	Date
1	8-9-46
2	2-4-47

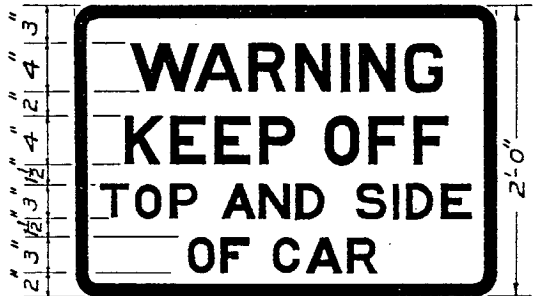
APPROVED BY:
N. Y. C. SYSTEM
ENGINEERING COMM.



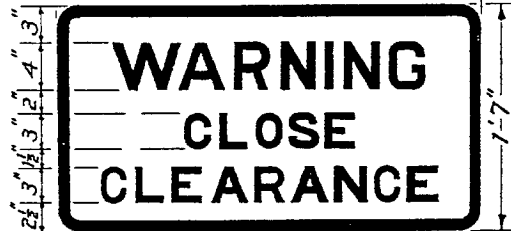
SIGN "A"



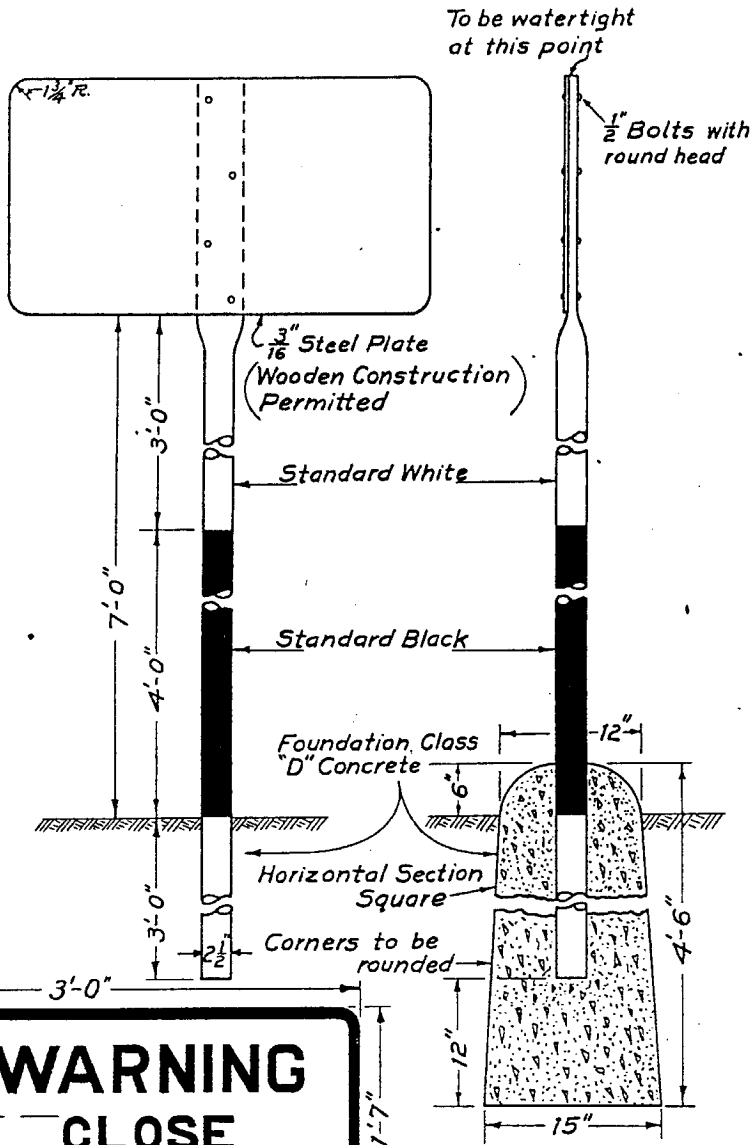
SIGN "B"



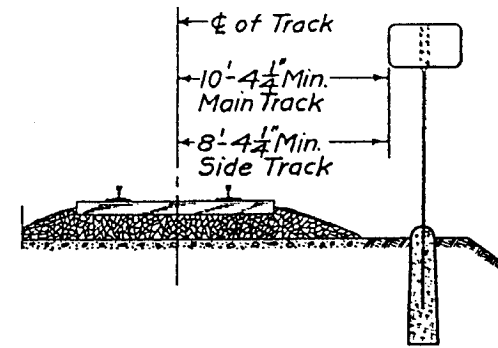
SIGN "C"



SIGN "D" (FOR STATE OF MICHIGAN)



DETAIL OF POST



LOCATION OF POST

GENERAL NOTES:

Painting- Remove all scale and rust. Paint both sides of sign plate with a priming coat of red lead and oil. Paint face of sign with two coats of standard white paint, with lettering and border painted black. Paint back of sign with two coats of standard black paint.
Post to be painted black for a height of four feet above ground line, the balance white:

Location- Signs to be erected at such locations and in such manner as local conditions warrant. When posts are necessary, install as indicated.

Required- On order of Superintendent where side and overhead clearances are less than standard. Type of sign, number required and location subject to approval of Superintendent. Signs shown are for use at all locations, except in the Dominion of Canada, where the warning sign must conform to General Order No. 623 of the Board of Transport Commissioners of Canada, and in the state of Michigan, where the warning sign must conform to Sign "D" as shown on this plan.

NEW YORK CENTRAL SYSTEM
STANDARD
WARNING SIGNS

OK'd by *A. E. Daugherty*
VICE PRESIDENT

EC
J-26
035
2