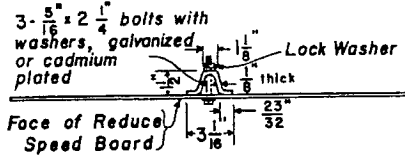
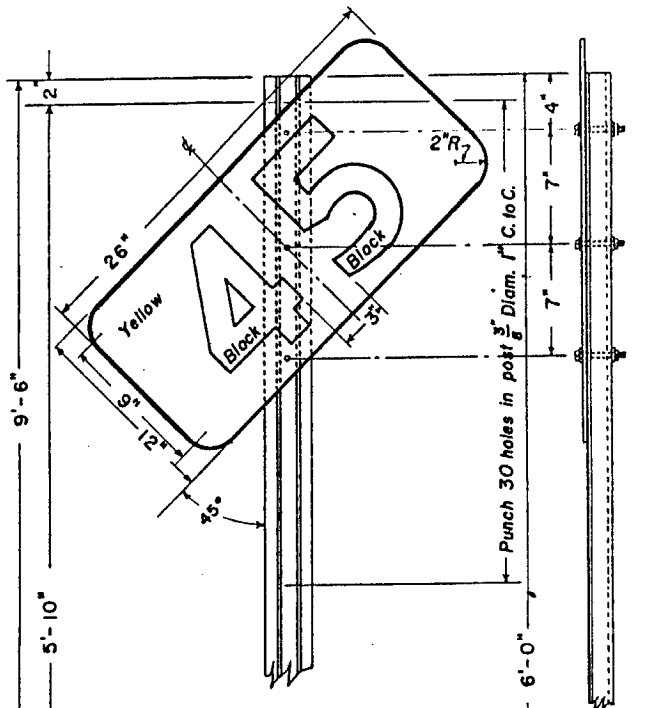


RECOMMENDED BY
ROADWAY STANDARDS
COMMITTEE

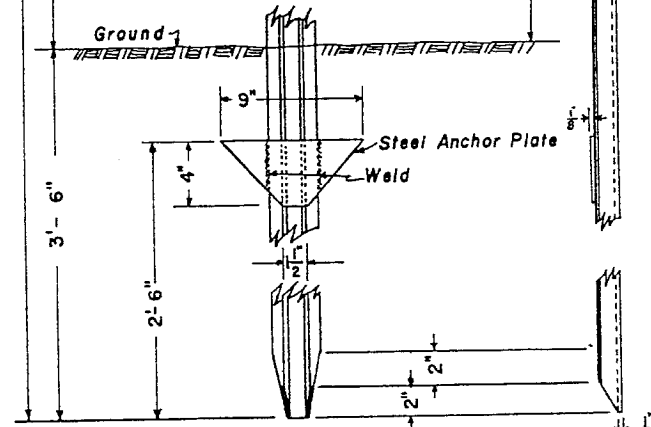
W. Alexander
CHAIRMAN

APPROVED

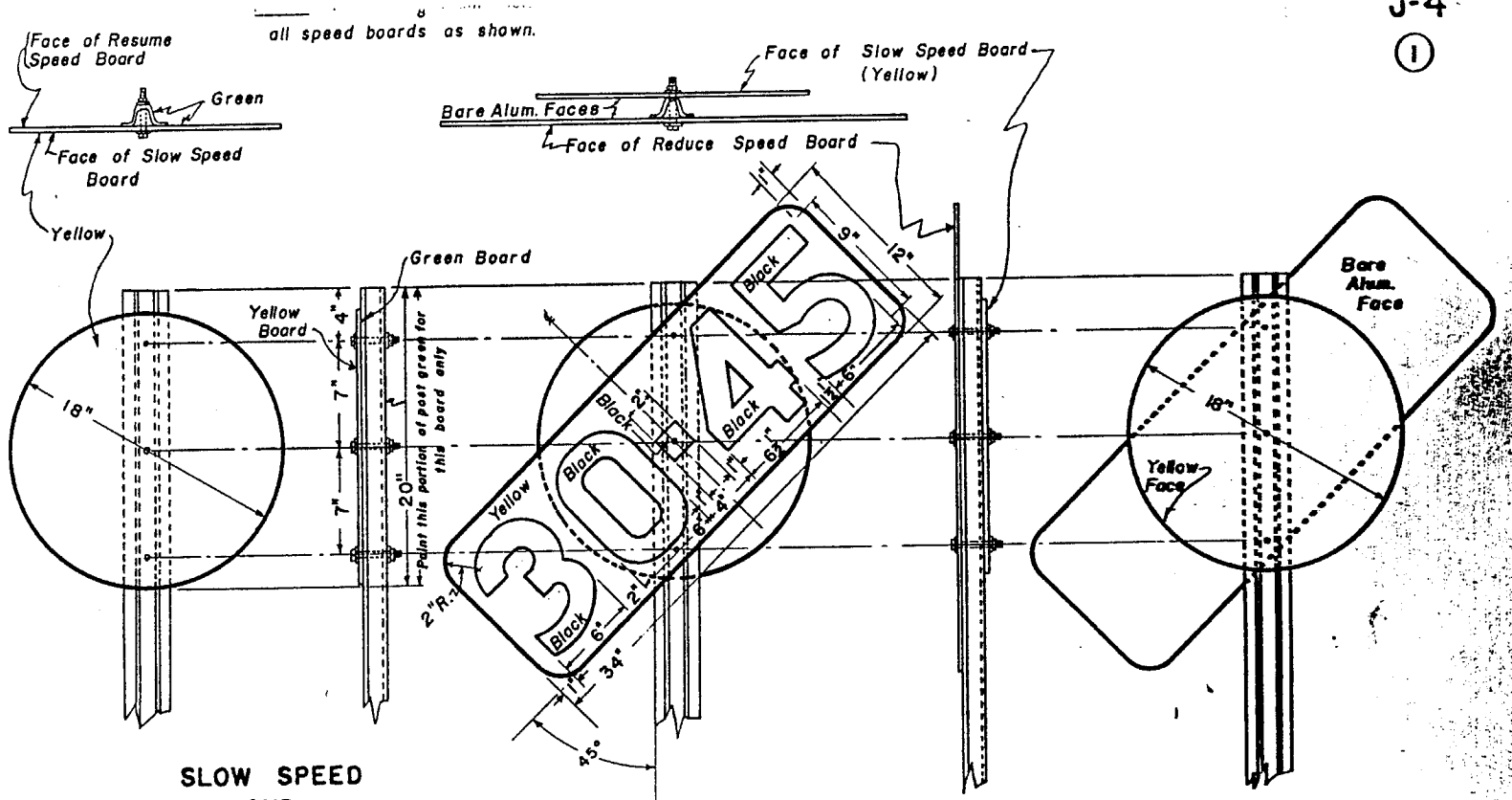
B. J. Conover
ASST. VICE PRESIDENT-ENGINEERING



CHANNEL SECTION OF POST



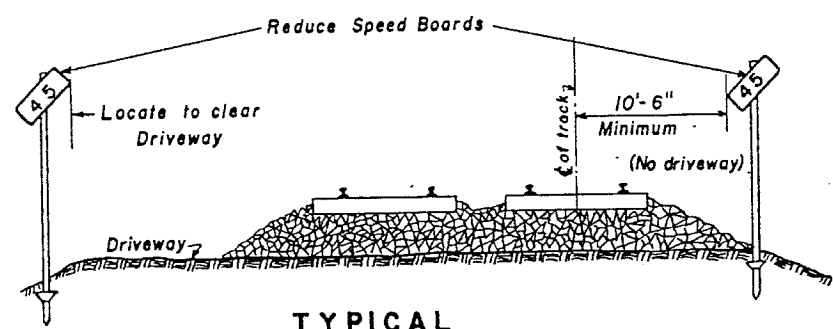
Rail Steel Post 2.60 lbs. per ft.
REDUCE SPEED BOARD
AND DETAILS OF POST



SLOW SPEED
AND
RESUME SPEED
BOARDS

SLOW SPEED AND REDUCE SPEED BOARDS

NEW YORK CENTRAL SYSTEM
STANDARD
PERMANENT
SPEED BOARDS



TYPICAL
SPEED BOARD ARRANGEMENT

J. F. Frank
VICE PRESIDENT-OPERATIONS