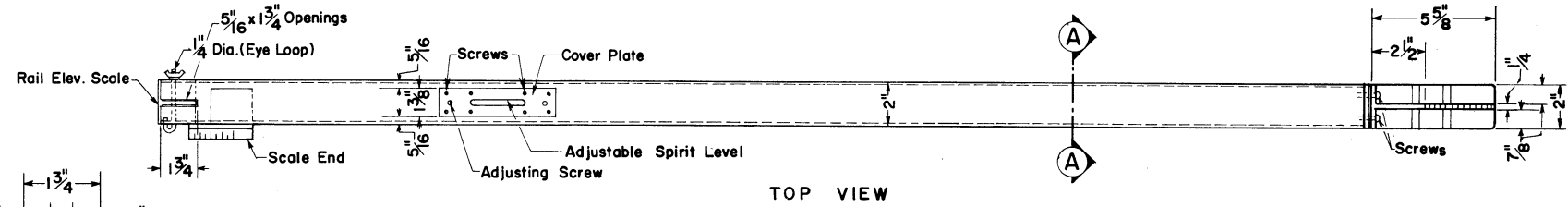


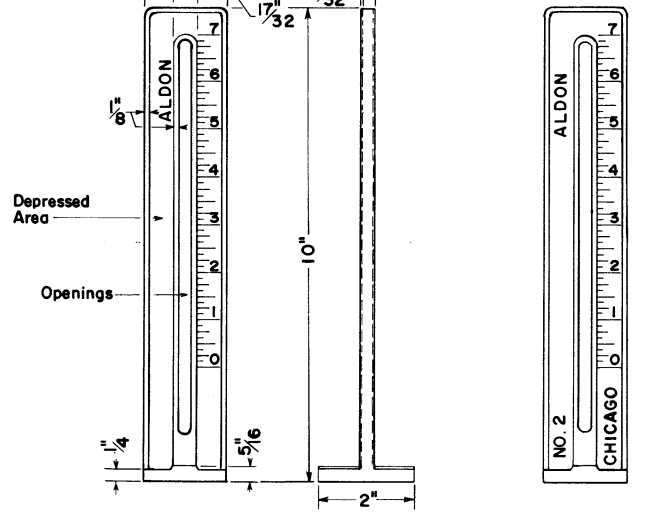
END VIEW

END VIEW

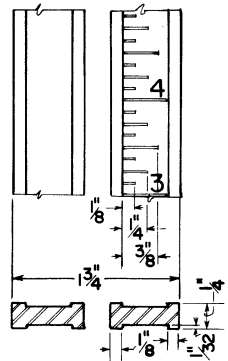


TOP VIEW

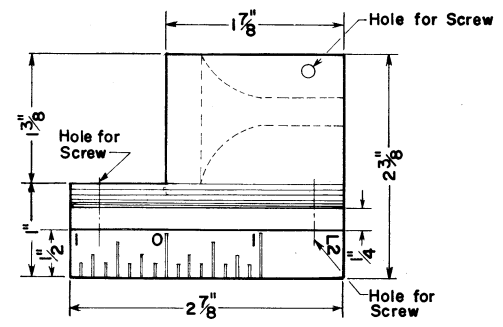
SECTION A-A



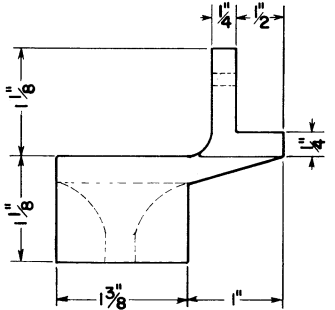
RAIL ELEVATION SCALE



DETAIL OF RAIL ELEVATION SCALE

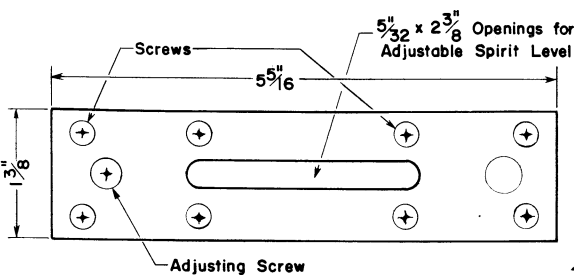


TOP VIEW

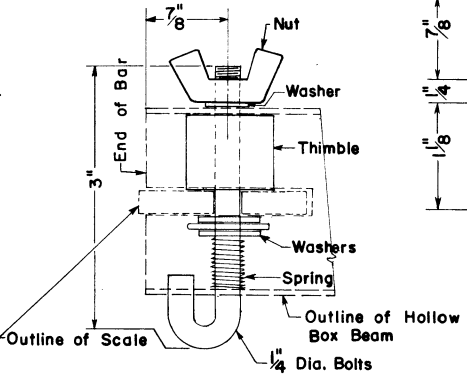


SIDE VIEW (Left Side)

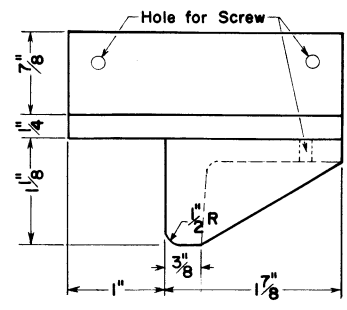
SCALE END



COVER PLATE



BOLT ASSEMBLY



FRONT ELEVATION

SOUTHERN RAILWAY SYSTEM
COMBINATION OF LEVEL & GAGE
 FOR TRACK INSPECTION

FEBRUARY 1, 1975