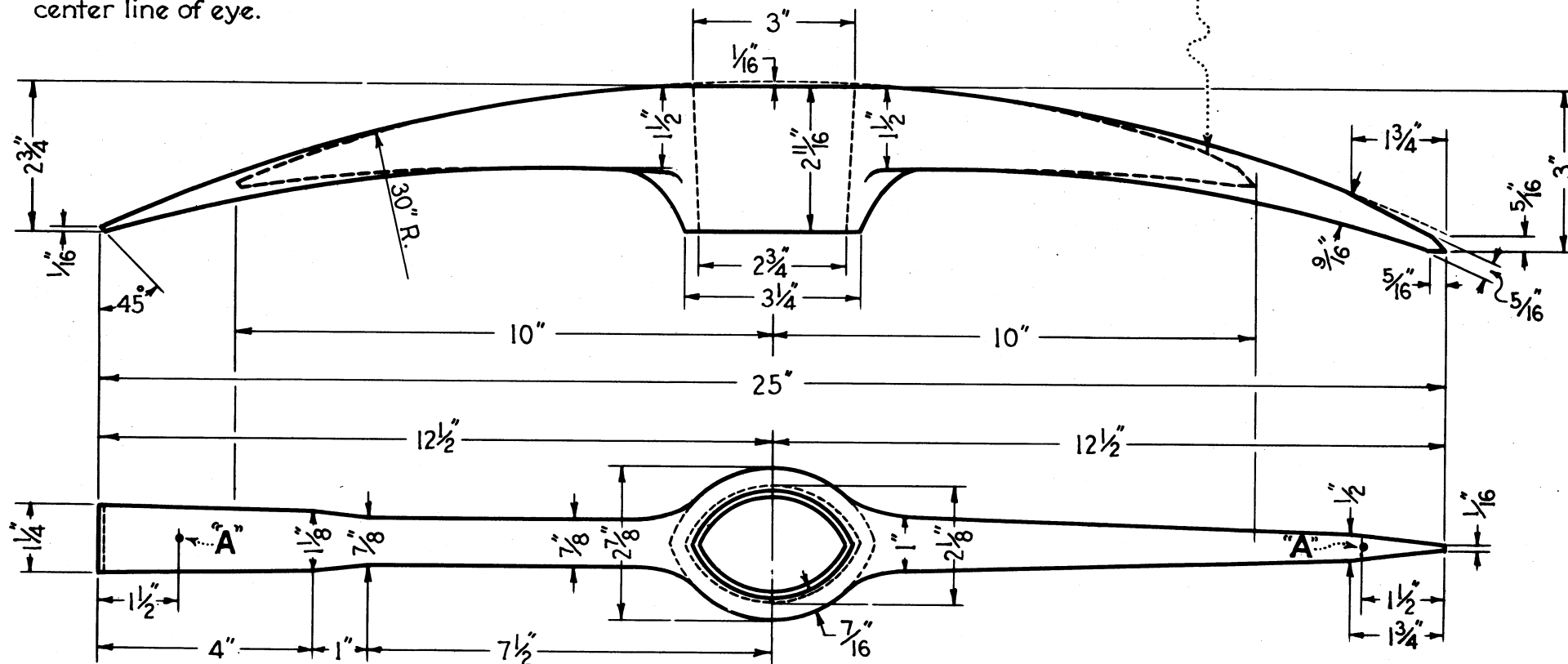


30" radius of back to be continuous, except where flattened over eye. Radius to be coincident with center line of eye.

Dashed lines indicate reclaiming limit of tool.

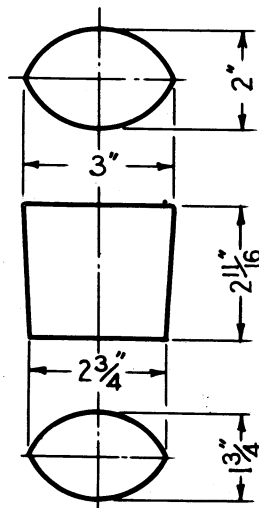


"A" indicates points where Brinell hardness is to be taken.

Material :- O.H. Steel, Brinell 425-500.

Approx. weight :- 7 Lbs.

Tool to be stamped "Southern Ry. Co."



**DETAIL
OF EYE**

SOUTHERN RAILWAY SYSTEM

CLAY PICK

FEBRUARY 1, 1975

OFFICE OF ASST. V. P. M.W. & S.
Atlanta, Georgia