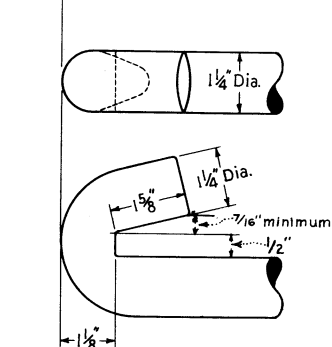
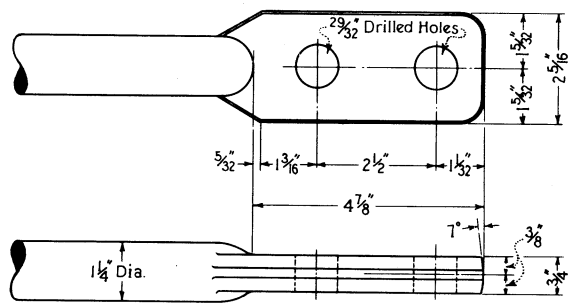


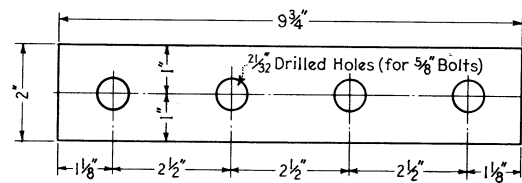
DETAIL OF FORGED HOOK



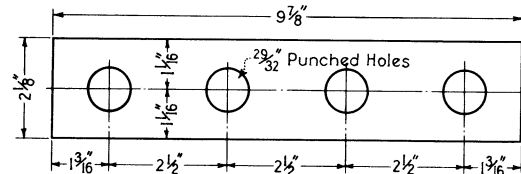
DETAIL OF BENT HOOK



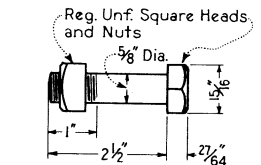
DETAIL OF FORGED END OF ROD FOR INSULATING SPLICE



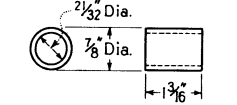
SPLICE PLATE  
Open Hearth, Medium Steel - 2 Required.  
3/8" Thick



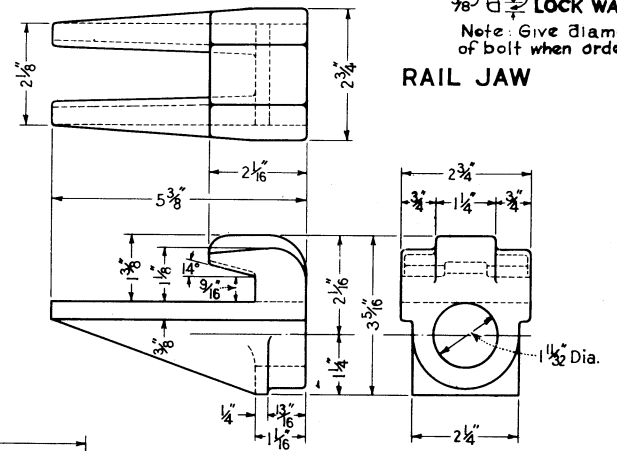
INSULATING PLATE  
Hard Fibre - 2 Required.  
1/8" Thick



5/8 x 2 1/2" MACHINE BOLT  
4 Required.



INSULATING BUSHING  
Hard Fibre - 4 Required.



RAIL JAW

NOTES:  
Gage Rods and Splice Plates to be Open Hearth, Medium Steel.  
Fibre Insulating Plates and Bushings to conform to A. A. R.  
Signal Section Specifications 13-52 for Hard Fibre, or  
later issue.

SOUTHERN RAILWAY SYSTEM  
**GAGE RODS**

FEBRUARY 1, 1975

OFFICE OF ASST. V.P. M.W.&S.  
ATLANTA, GEORGIA