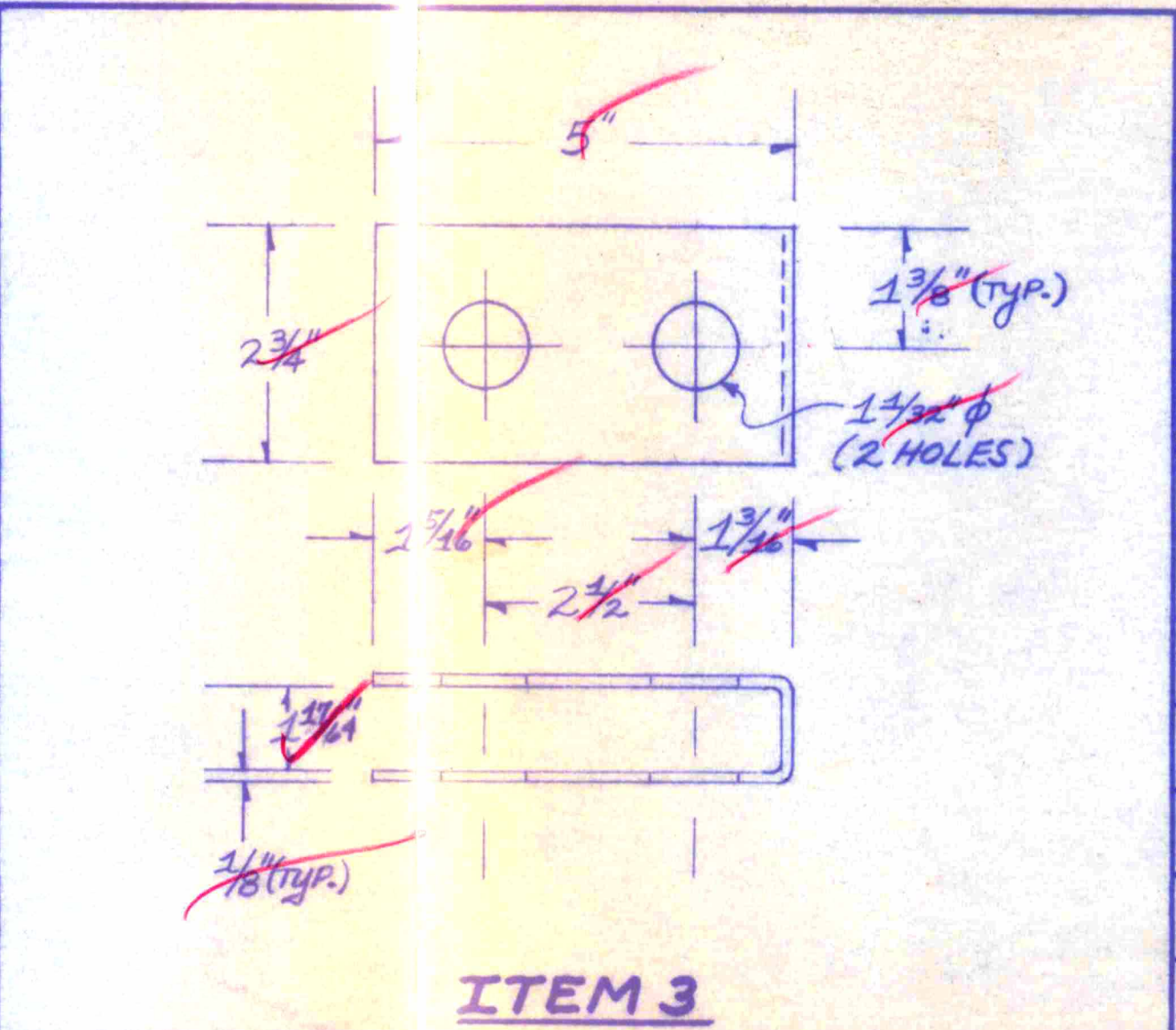
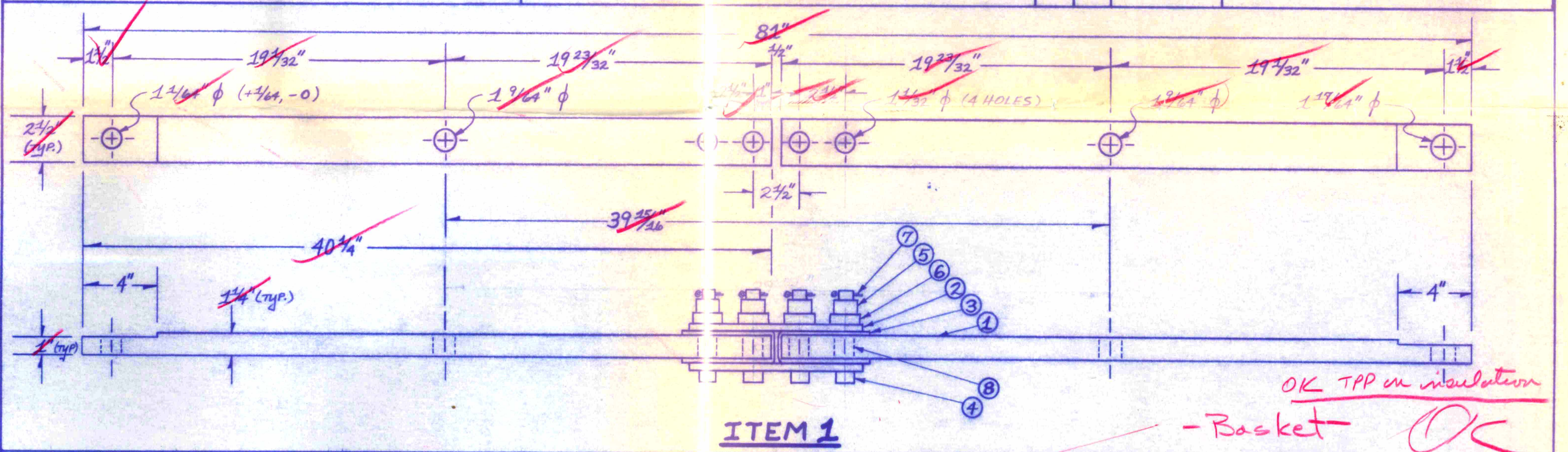


ITEM 2



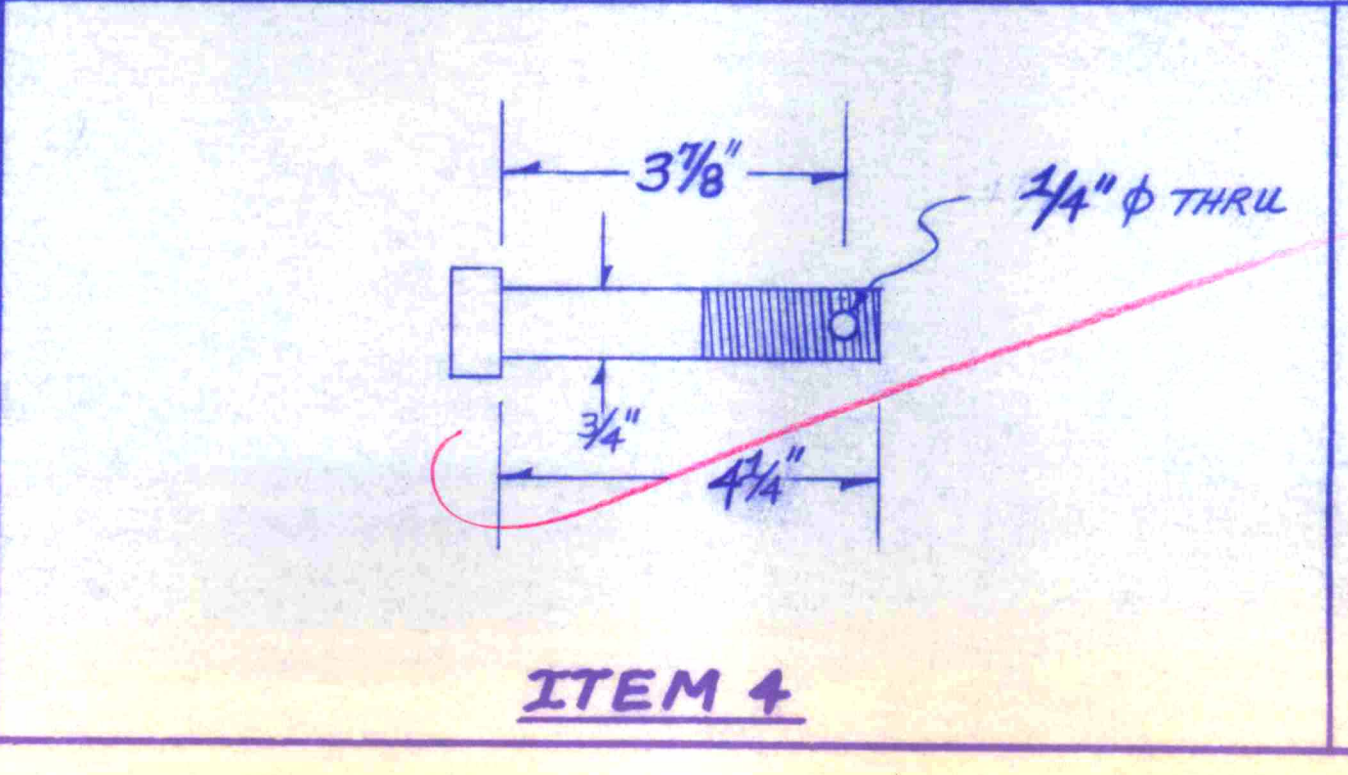
ITEM 3

BILL OF MATERIALS			
ITEM	QTY.	MATERIAL	DESCRIPTION
①	2	A-36 STEEL	1 1/4" x 2 1/2" x 40 1/4" FLAT BAR
②	2	A-36 STEEL	4 1/2" x 2 1/2" x 9 1/2" FLAT BAR
③	2	NVF FORBON	1/8" x 2 3/4" x 1 1/4" RAILROAD GRADE
④	4	STL. (A.R.E.A.)	3/4"-10 x 4 1/4" SQUARE HEAD BOLTS
⑤	4	STL. (A.R.E.A.)	3/4"-10 SQUARE NUTS
⑥	4	STL. (A.R.E.A.)	3/4"-10 TRACK WASHERS
⑦	4	STEEL	3/8" COTTER PINS (OR 3/16")
⑧	4	NVF FORBON	1" OD x 25/32" ID RAILROAD GRADE

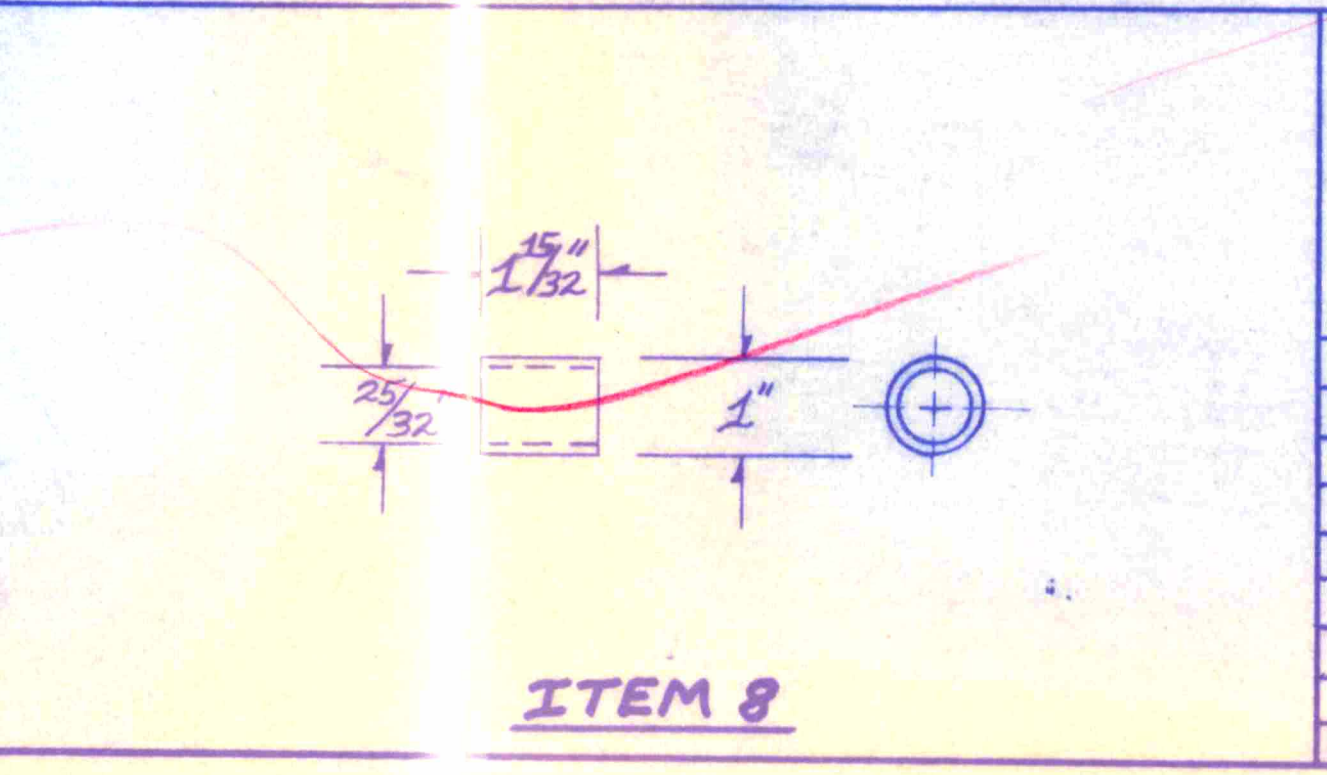


ITEM 1

OK TPP on insulation
- Basket OK



ITEM 4



ITEM 8

NOTES:
 1) STAMP WITH STEEL LETTERS IN TOP OF EACH ROD;
 2) STAMP ROD NUMBER, WEIGHT OF RAIL AND LENGTH OF SWITCH;
 3) THE TOLERANCE FOR ALL HOLE DIAMETERS IS +1/64", -0.

NO.		REVISION	BY	DATE

Bentech MFG.
 Roanoke, VA.

NAME 16'-6" SWITCH ROD #1 (115 RE)

DR. MM SCALE N.T.S. NUMBER 640-
 CH. 1005 DATE 09 MAY '89 008977